

## GL 37 B Allrad - Truck mounted work platform

### Technical data\*\*

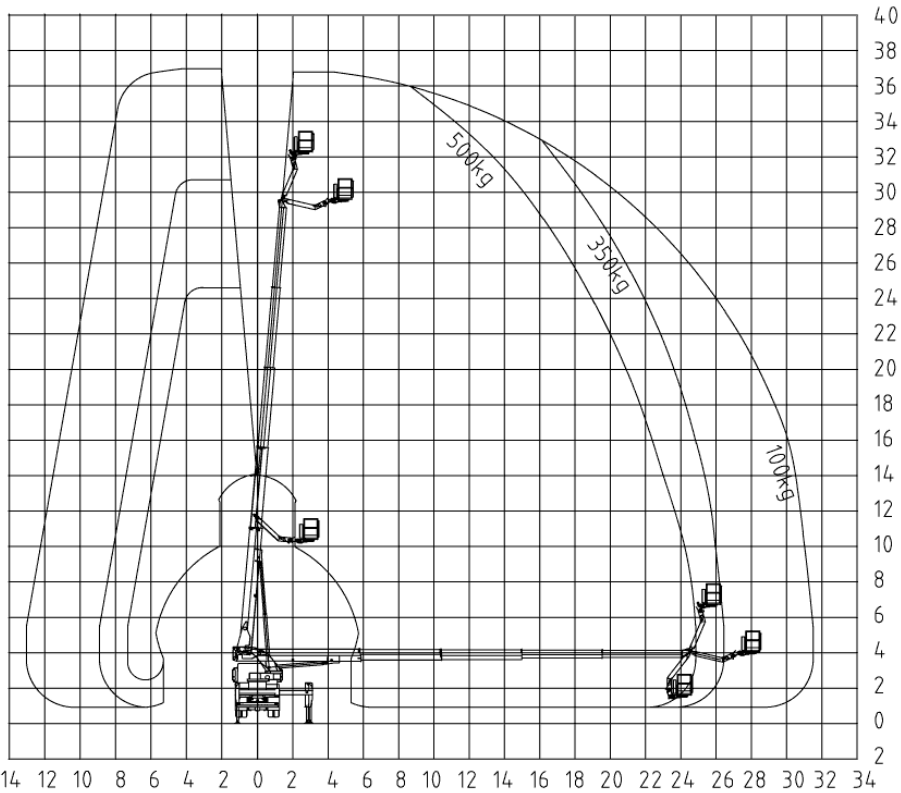
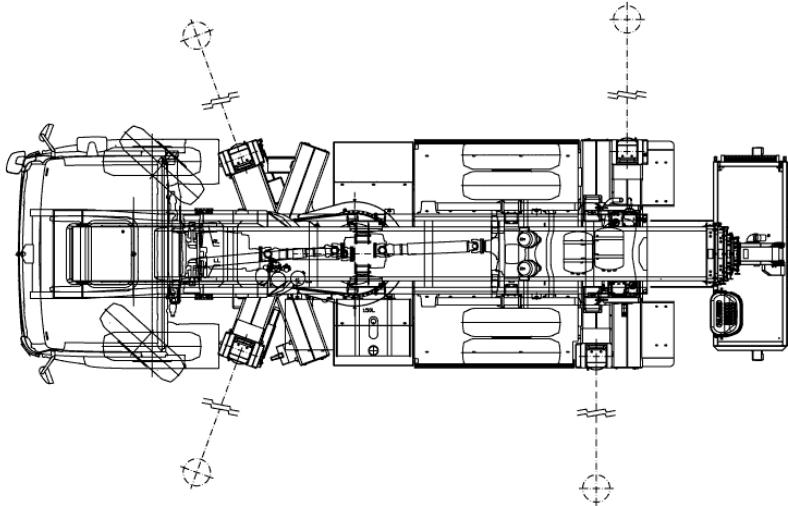
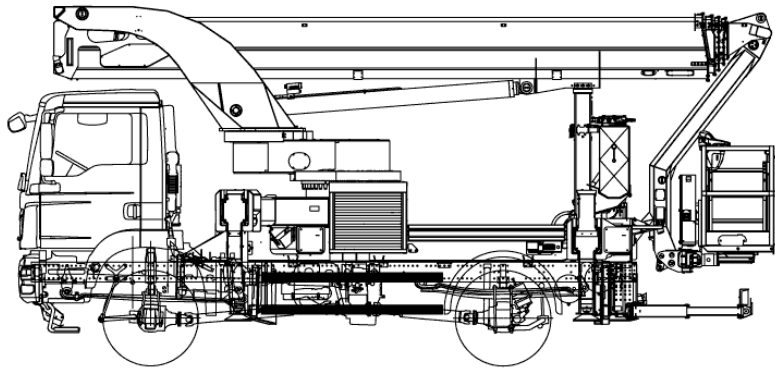
<b>Max. working height</b>	37,18 m
<b>Max. platform height</b>	35,18 m
<b>Max. Outreach</b>	31,61 m
<b>Overall dimensions LxBxH</b>	8,80 x 2,63 x 4,00 m
<b>Platform size BxT</b>	2,09 x 0,85 m
<b>Max. lifting capacity</b>	500 kg
<b>Swivel range</b>	+/- 250°
<b>Wheel pressure</b>	180 / 130 kN
<b>Ground clearance</b>	0,36 m
<b>Jacking vertical</b>	2,57 m
<b>Jacking unilaterally</b>	4,44 m
<b>Jacking both sides</b>	6,33 m
<b>Jacking length</b>	4,78 m
<b>Weight</b>	16.050 kg
<b>Total weight</b>	16.150 kg
<b>Driver licence</b>	only with operator

### Special features

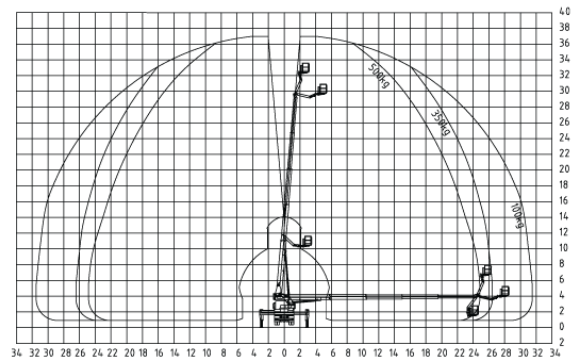
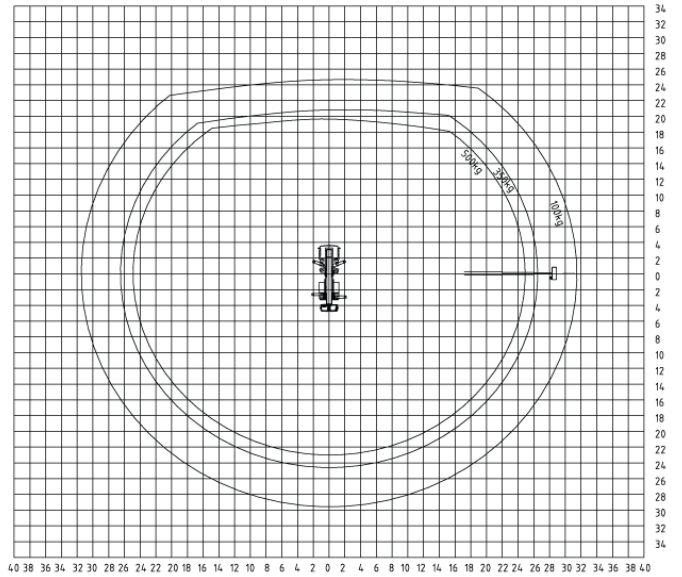
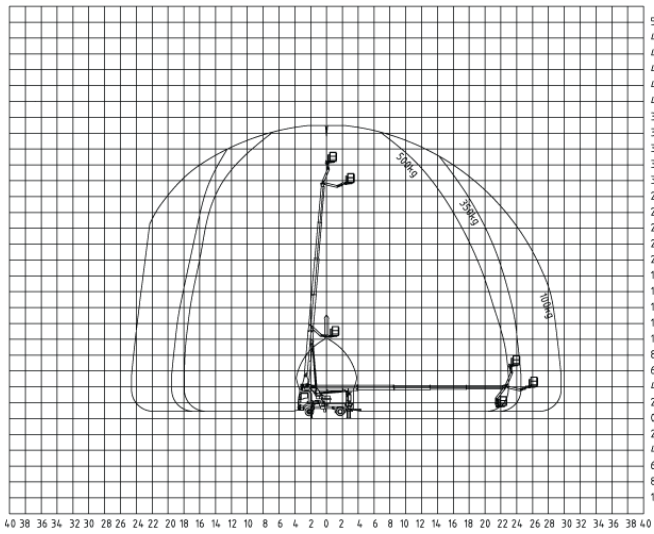
<b>Rotatable cage</b>	yes
<b>Jib, rotating angle</b>	yes/

Advantages: Extremely high lateral outreach of 31.61 m, ideal for work in flowing traffic because the slewing ring overhang lies within the mirror width of the vehicle, loading area 2.40 x 1.59 m with side walls. Info: Rental only with operating personnel

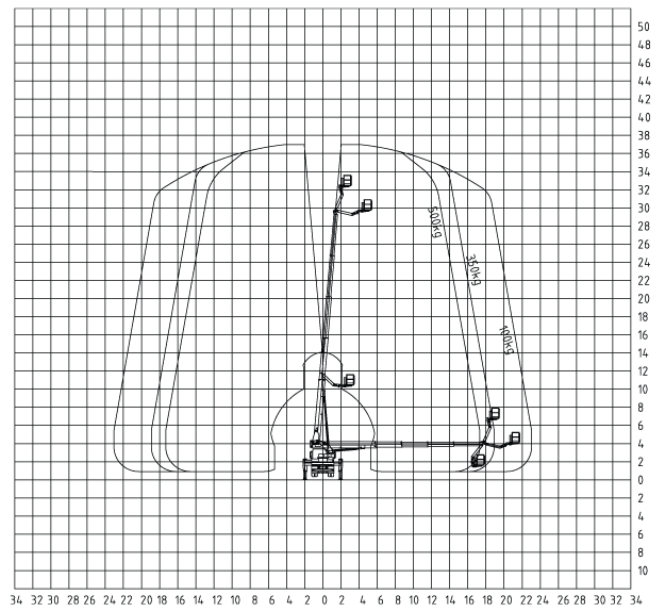
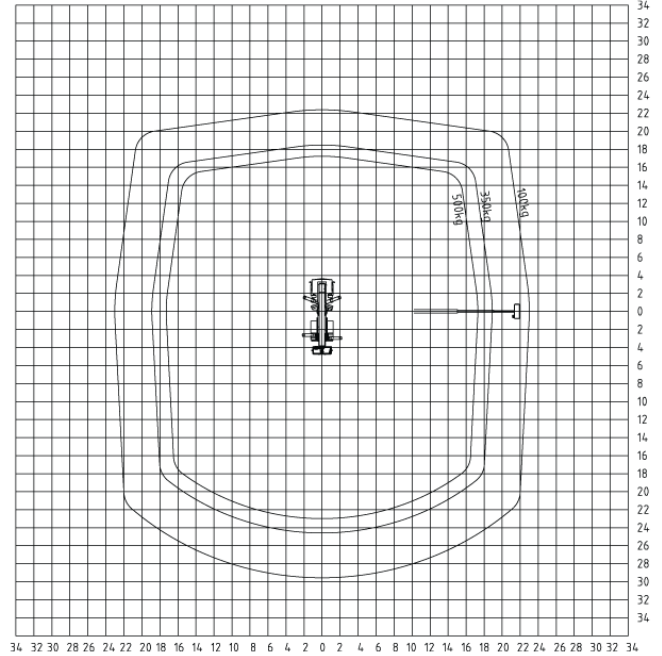
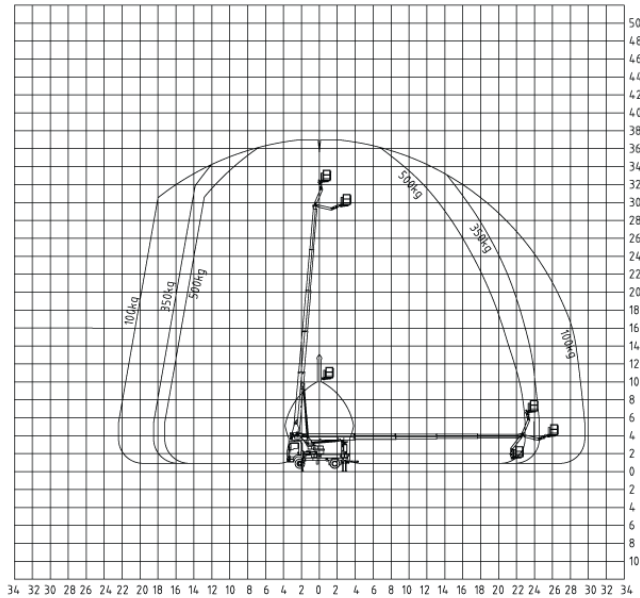
\*\*Technical data was captured accurately but may vary within one model series.



# GL 37 B Allrad Jacking both sides



## GL 37 B Allrad Jacking half



## GL 37 B Allrad Jacking vertical

