

GL 33 G - Truck mounted work platform

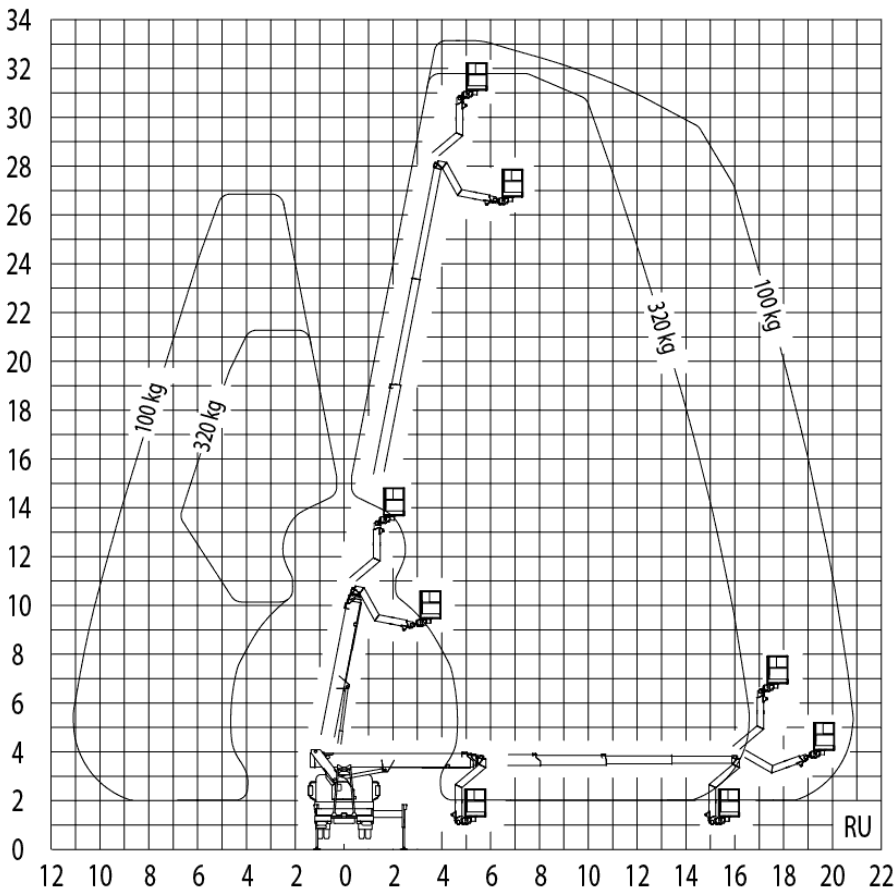
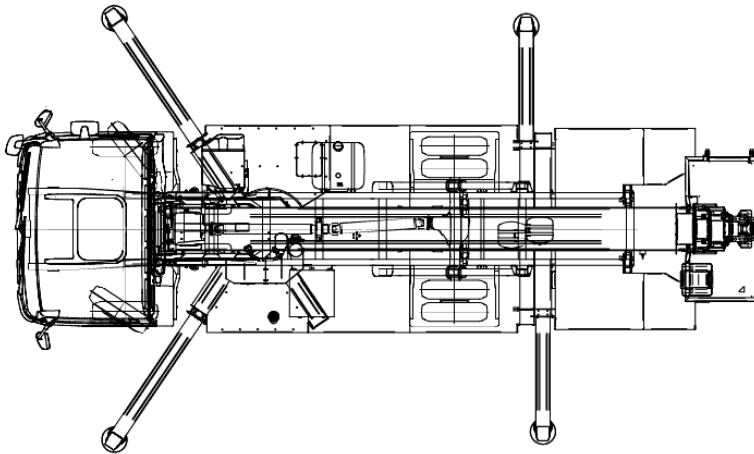
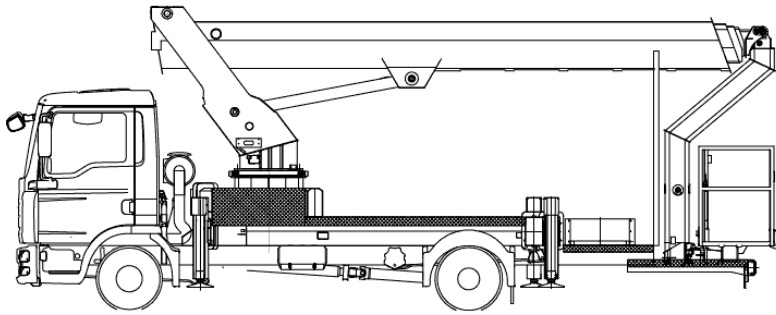
Technical data**

Max. working height	32,50 m
Max. platform height	30,50 m
Max. Outreach	20,88 m
Overall dimensions LxBxH	8,80 x 2,55 x 3,55 m
Platform size BxT	1,71 x 0,86 m
Max. lifting capacity	320 kg
Swivel range	180°
Wheel pressure	56 kN
Ground clearance	0,15 m
Jacking vertical	2,53 m
Jacking unilaterally	3,86 m
Jacking both sides	5,30 m
Jacking length	4,87 m
Weight	7.240 kg
Total weight	7.490 kg
Driver licence	C1 / 3

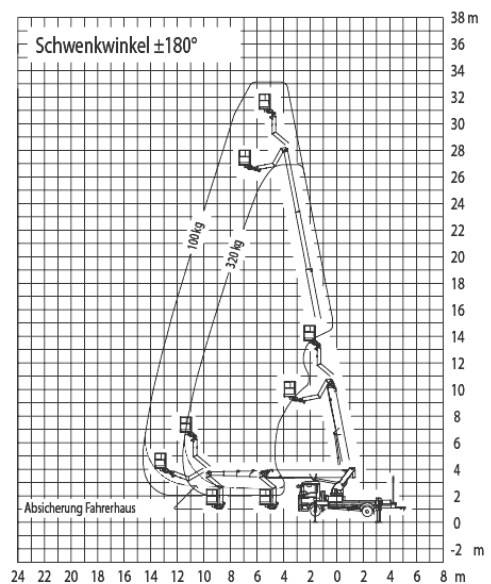
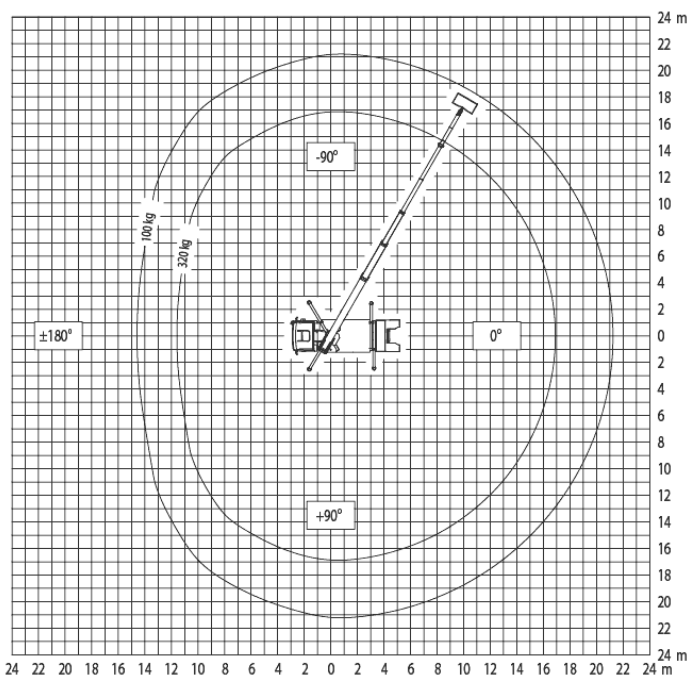
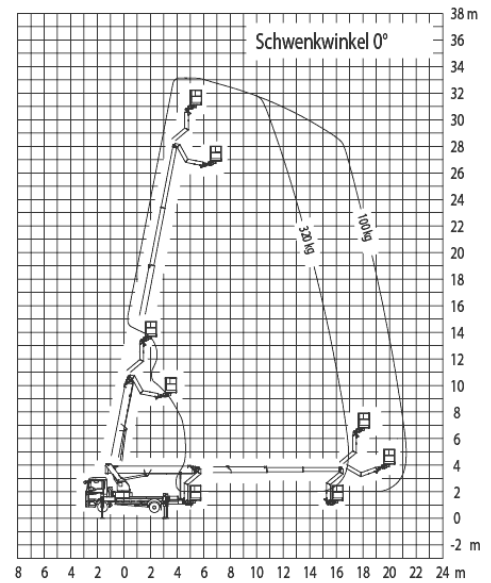
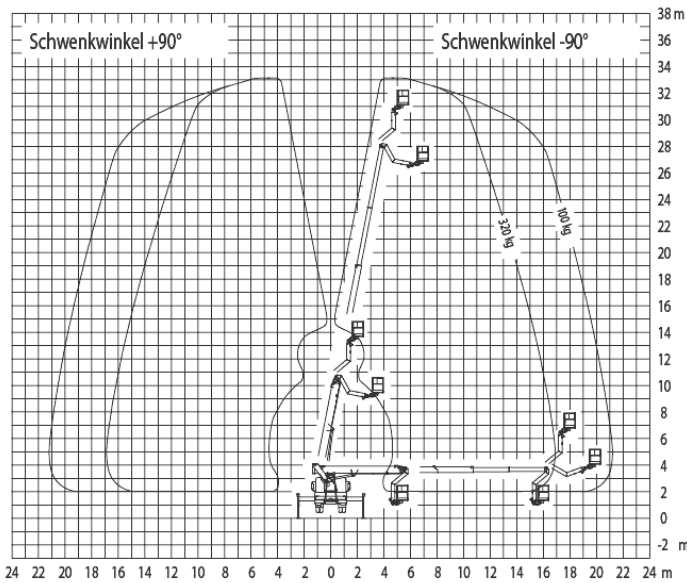
Special features

Rotatable cage	yes
Jib, rotating angle	yes/

**Technical data was captured accurately but may vary within one model series.



GL 33 G Jacking both sides



GL 33 G Jacking unilaterally

