

## GL 27 M Hybrid - Truck mounted work platform

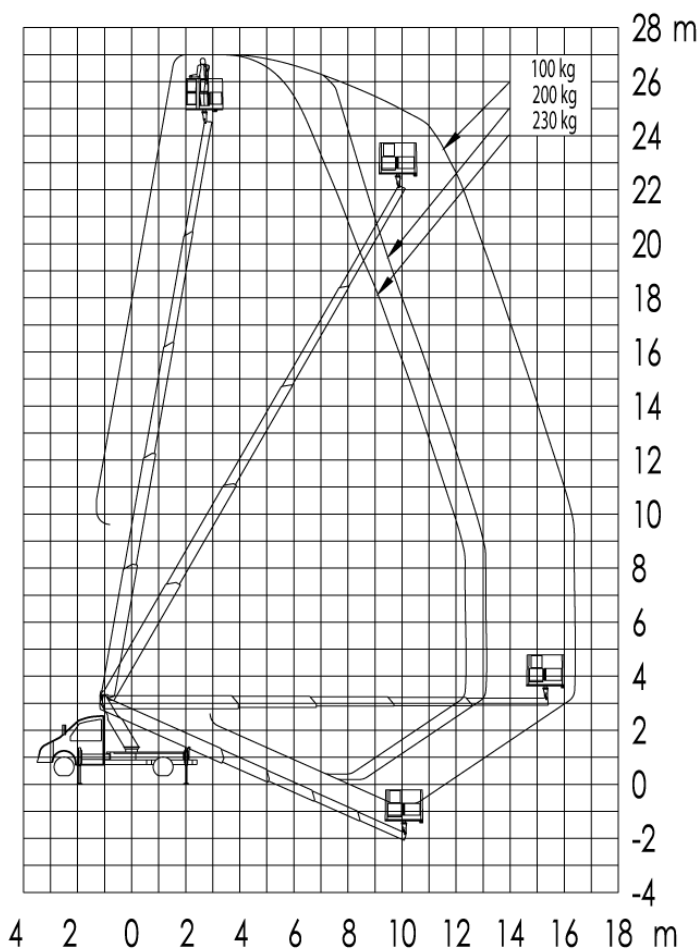
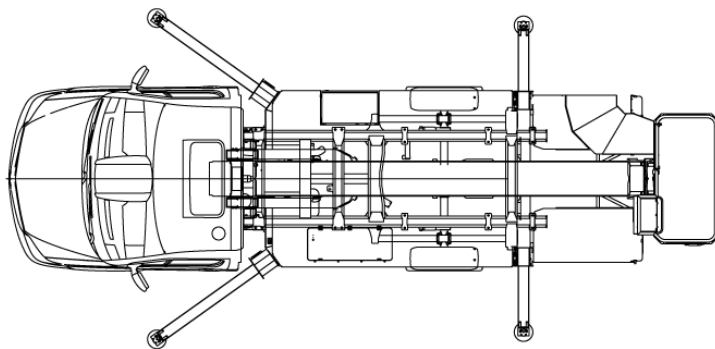
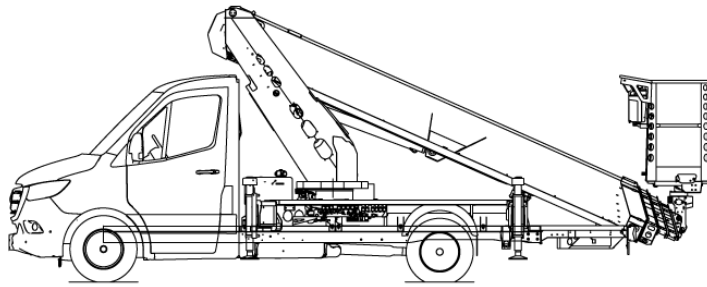
### Technical data\*\*

<b>Max. working height</b>	27,07 m
<b>Max. platform height</b>	25,07 m
<b>Max. Outreach</b>	16,45 m
<b>Overall dimensions LxBxH</b>	7,66 x 2,25 x 3,05 m
<b>Platform size BxT</b>	1,37 x 0,67 m
<b>Max. lifting capacity</b>	225 kg
<b>Swivel range</b>	+/- 225°
<b>Wheel pressure</b>	29/19 kN
<b>Ground clearance</b>	0,16 m
<b>Jacking vertical</b>	2,20 m
<b>Jacking unilaterally</b>	2,90 m (vorne) / 2,85 m (hinten)
<b>Jacking both sides</b>	3,65 m (vorne) / 3,50 m (hinten)
<b>Jacking length</b>	4,14 m breit/ 3,13 m schmal
<b>Weight</b>	3.360 kg
<b>Total weight</b>	3.500 kg
<b>Driver licence</b>	B / 3

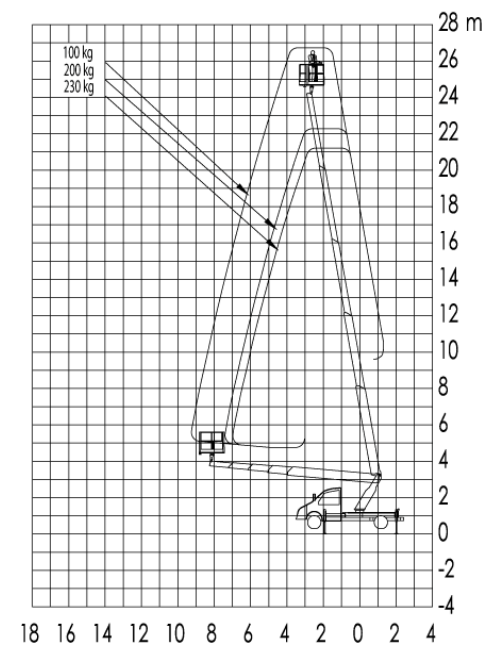
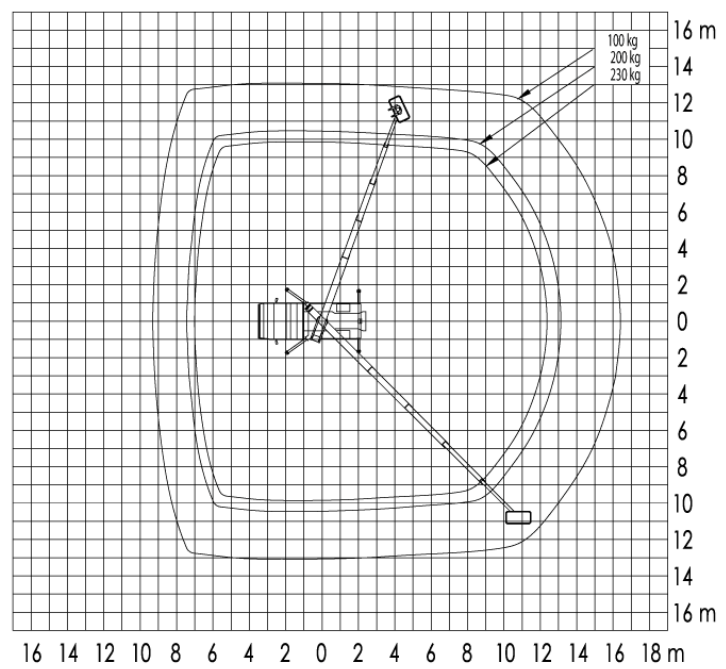
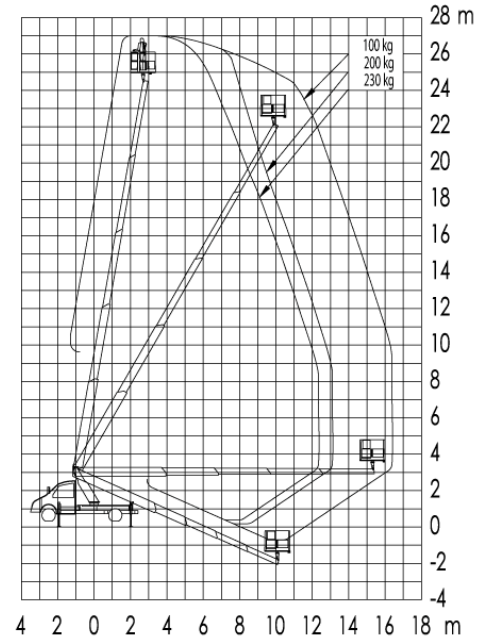
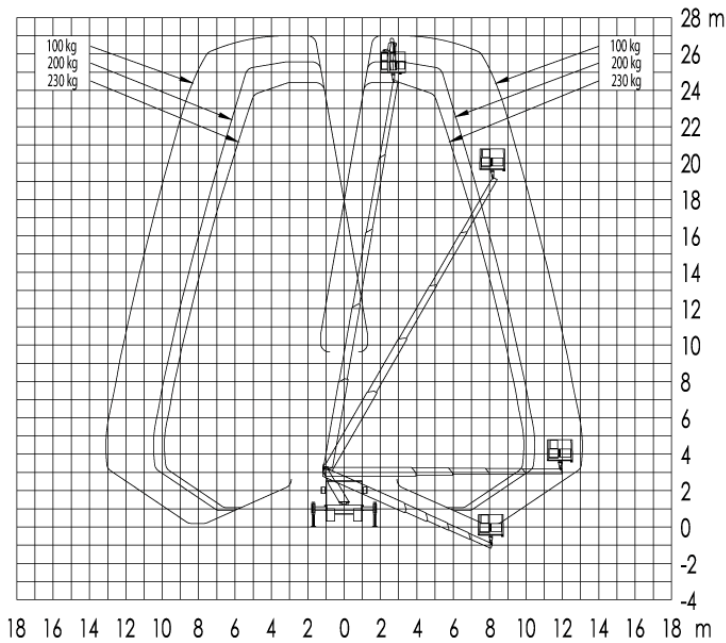
### Special features

<b>Rotatable cage</b>	yes
<b>Jib, rotating angle</b>	no/

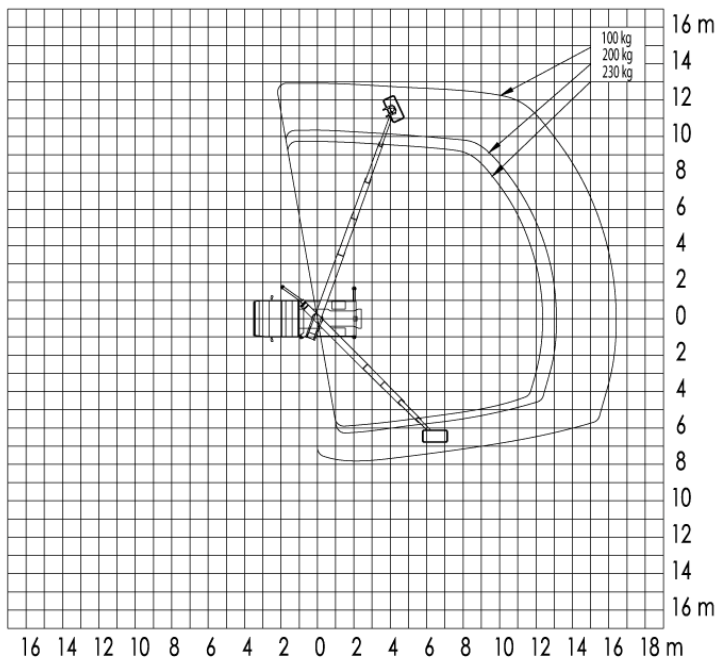
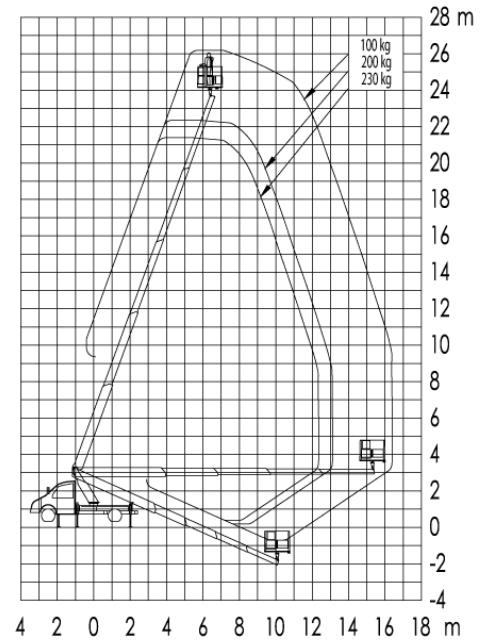
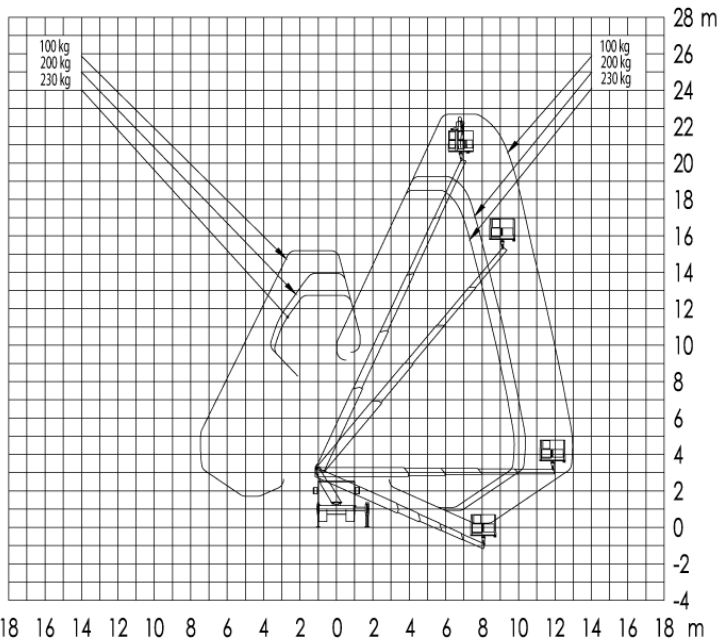
\*\*Technical data was captured accurately but may vary within one model series.



# GL 27 M Hybrid Jacking both sides



# GL 27 M Hybrid Jacking unilaterally



# GL 27 M Hybrid Jacking vertical

