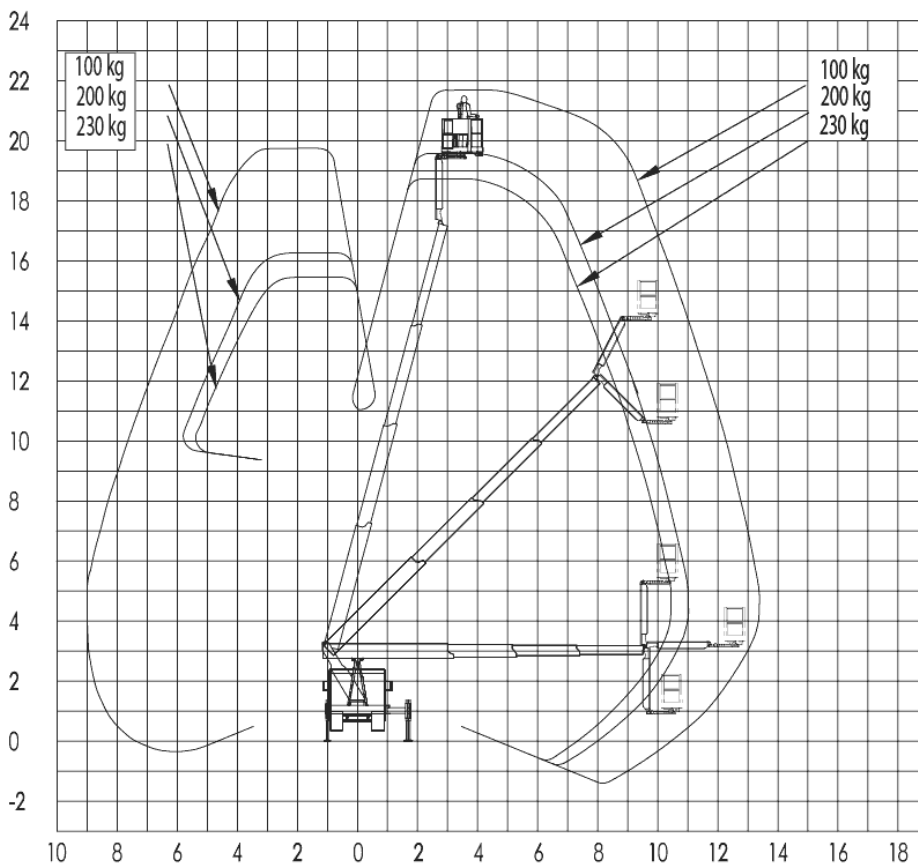
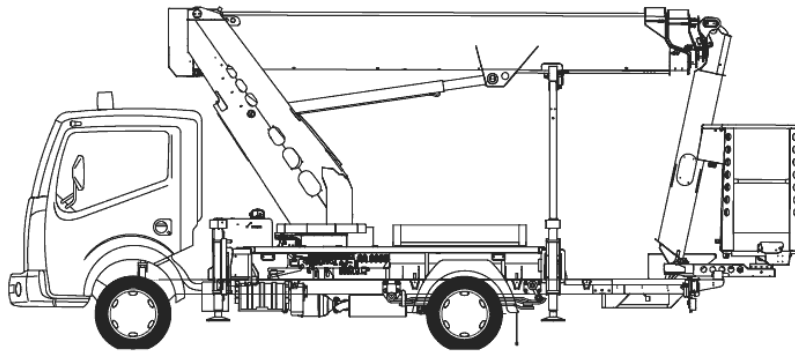


GL 22 S - Truck mounted work platform

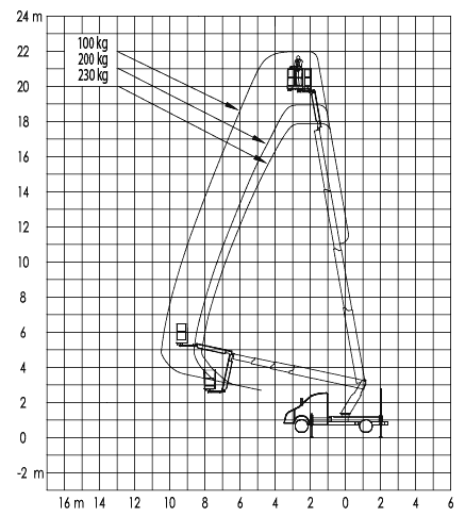
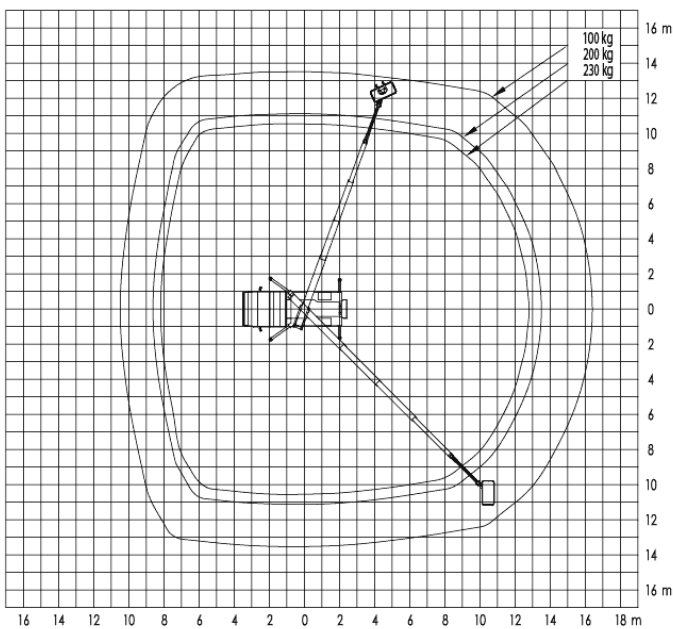
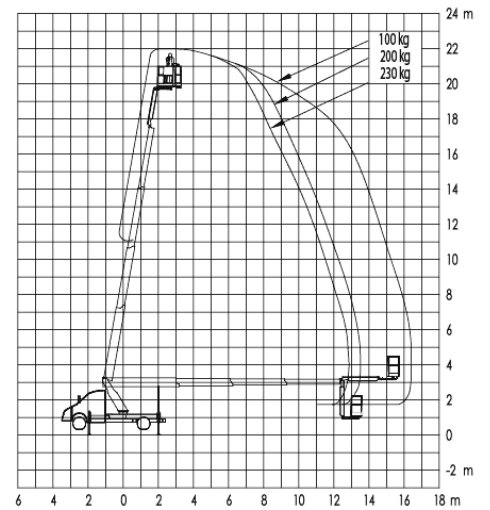
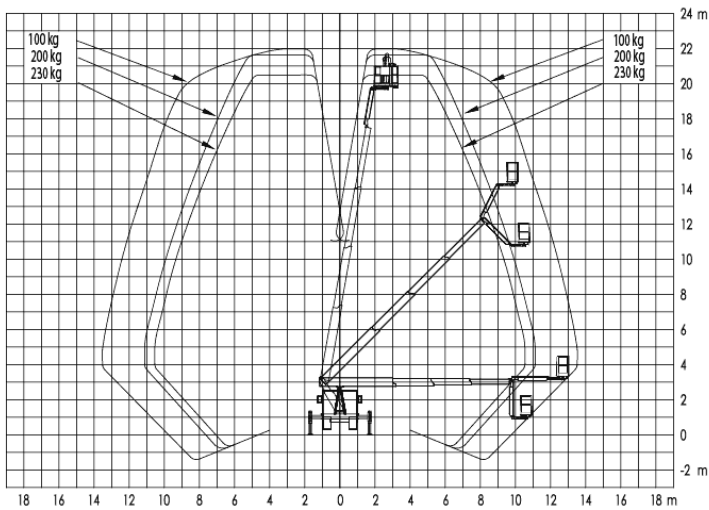
Technical data**	
Max. working height	21,85 m
Max. platform height	19,85 m
Max. Outreach	16,90 m
Overall dimensions LxBxH	6,93 x 2,20 x 2,99 m
Platform size BxT	1,41 x 0,86 m
Max. lifting capacity	230 kg
Swivel range	2x225°
Wheel pressure	31 kN
Ground clearance	0,16 m
Jacking vertical	2,20 m
Jacking unilaterally	2,93 m
Jacking both sides	3,66 m
Jacking length	4,16 m
Weight	3.440 kg
Total weight	3.500 kg
Driver licence	B / 3

Special features	
Rotatable cage	yes, +/- 85°
Jib, rotating angle	yes/
very high outreach, ground slope up to 5°, automatic set-up/retraction mechanism, memory-positioning system, power socket in the cage, isolated working cage.	

**Technical data was captured accurately but may vary within one model series.



GL 22 S Jacking both sides



GL 22 S Jacking unilaterally

