

GL 17 J - Truck mounted work platform

Technical data**

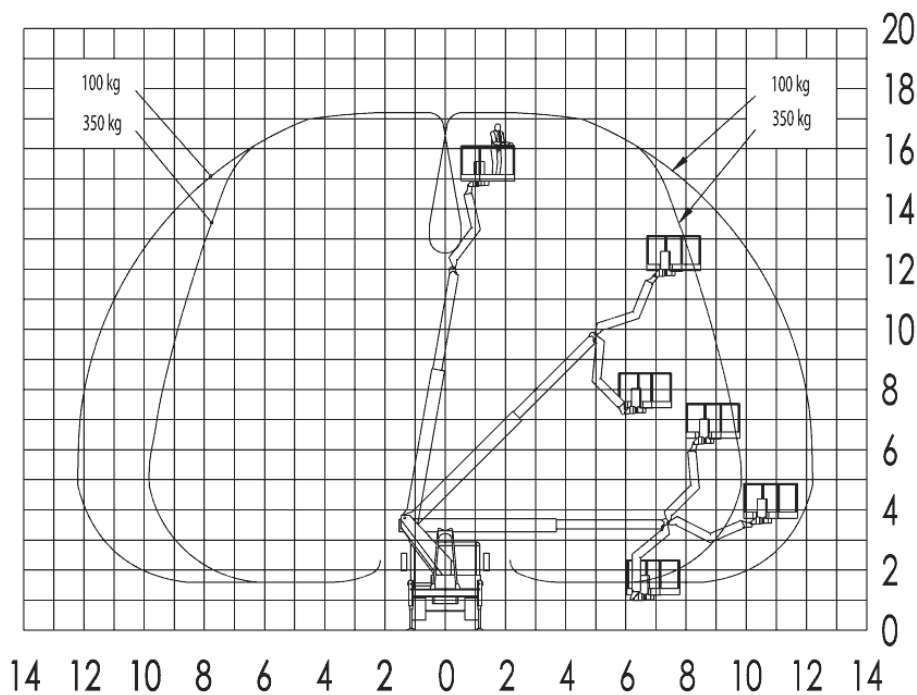
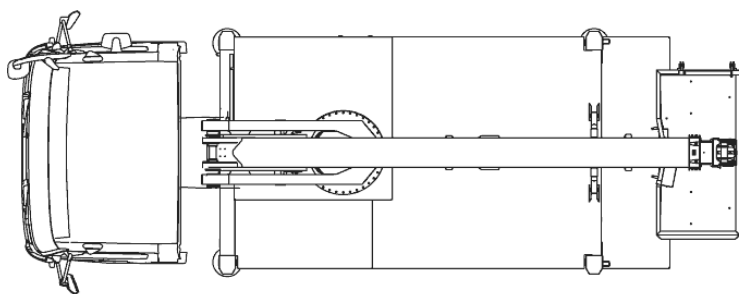
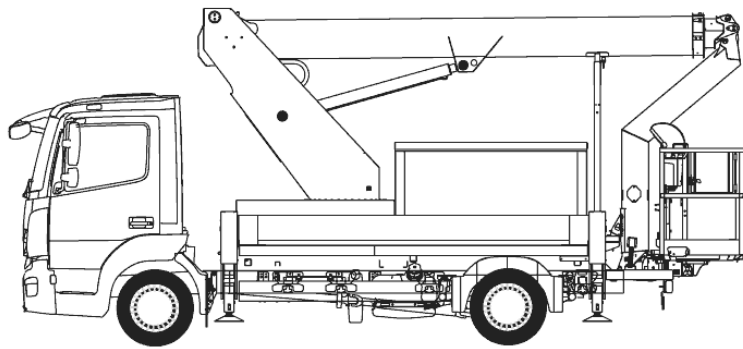
Max. working height	17,28 m
Max. platform height	15,28 m
Max. Outreach	12,25 m
Overall dimensions LxBxH	7,59 x 2,52 x 3,49 m
Platform size BxT	1,71 x 0,89 m
Max. lifting capacity	350 kg
Swivel range	+/- 250°
Wheel pressure	69 kN
Ground clearance	0,18 m
Jacking vertical	2,57 m
Jacking unilaterally	-
Jacking both sides	-
Jacking length	4,10 m
Weight	7.040 kg
Total weight	7.490 kg
Driver licence	C1 / 3

Special features

Rotatable cage	yes/2 x 90°
Jib, rotating angle	yes/185°

Extreme long Reach, Power on the platform, Engine switch On/Off in platform, Home function, Automatic leveling, Memory function

**Technical data was captured accurately but may vary within one model series.



GL 17 J Jacking vertical

