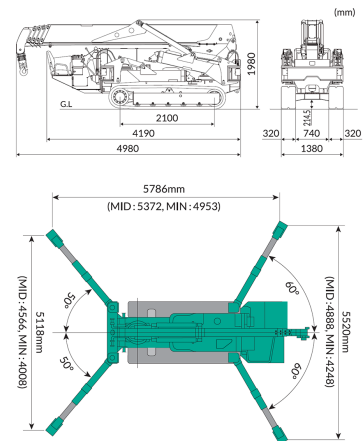
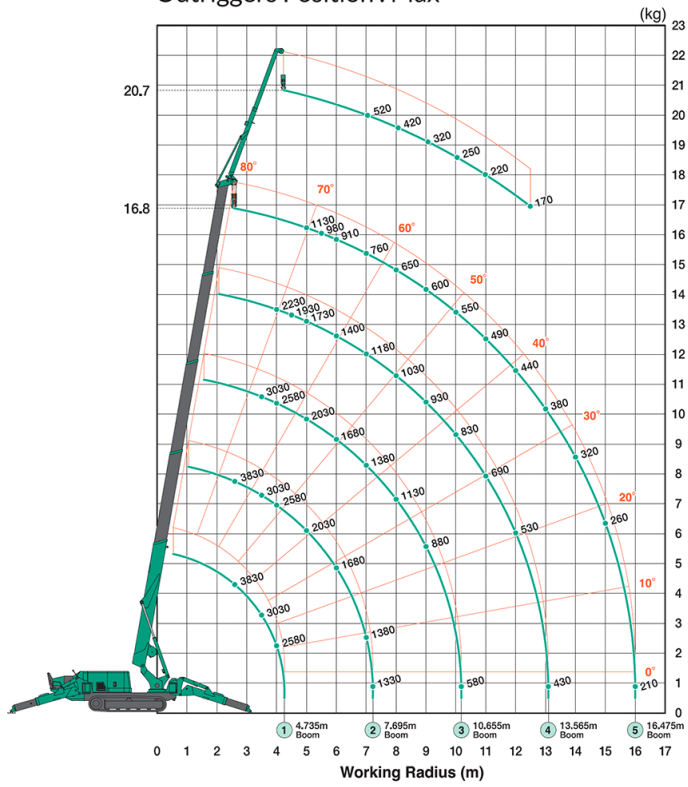


GMK 207-38

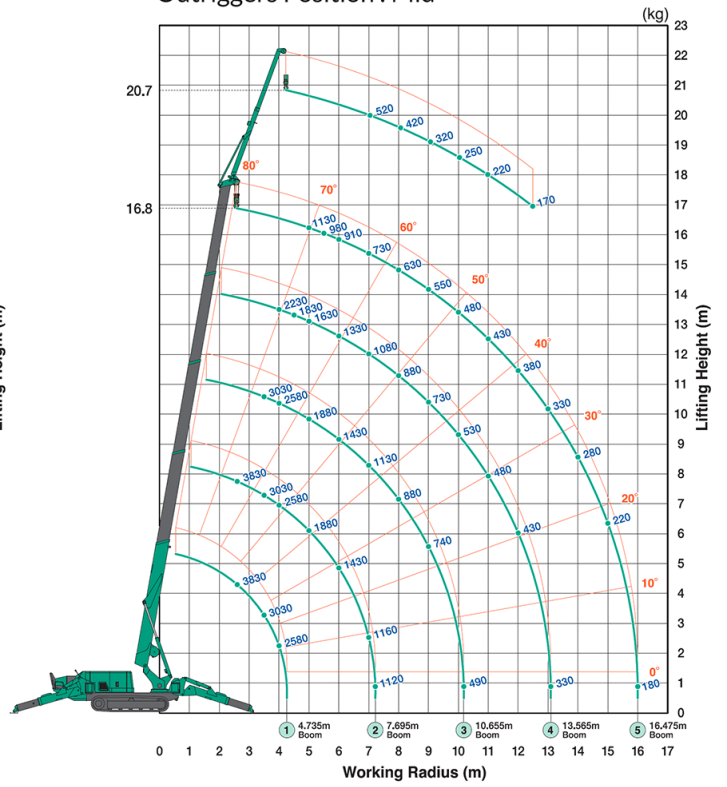
Support width max.	5,52 m
Support length max.	5,79 m
Drive type	380 V / Diesel
Construction width	1,38 m
Overall height	1,98 m
Ground clearance	0,13 m
Dead weight	5750 kg
Non-Marking	yes, white rubber chain
Max. Basket load / Lifting load	3830 kg
Transport position height	1,98 m
Transport position length	4,98 m
Max. Lifting height	20,70 m
Max. Projection	16,00 m
Max. Pitch angle	22%
Hook height	20,70 m
Rope length	82,00 m
Support pressure max.	43.2 kN
Supports	ja
Special features	optional vacuum glass suction cups available. A conversion of the machine is required for the maximum lifting load and outreach
Overall dimensions	4,98 x 1,38 m



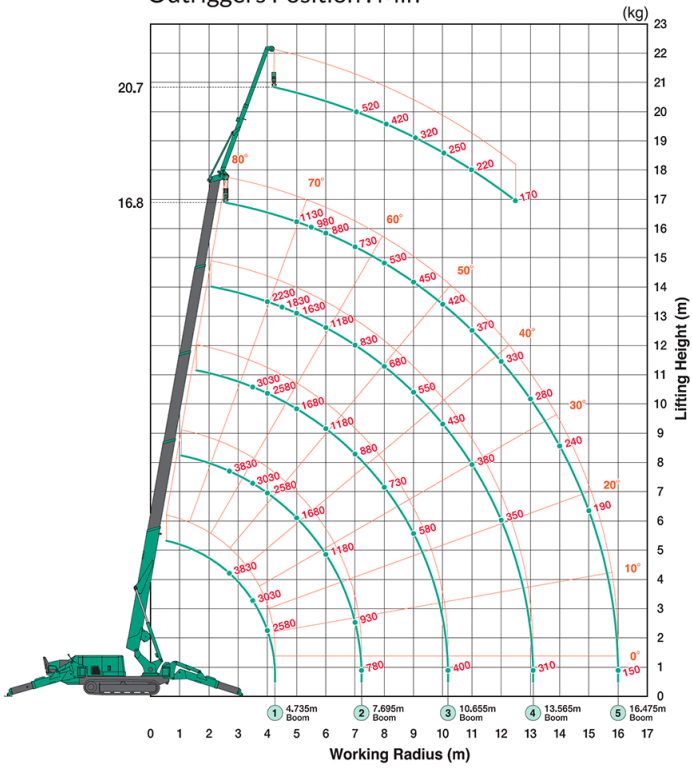
Outriggers Position : Max



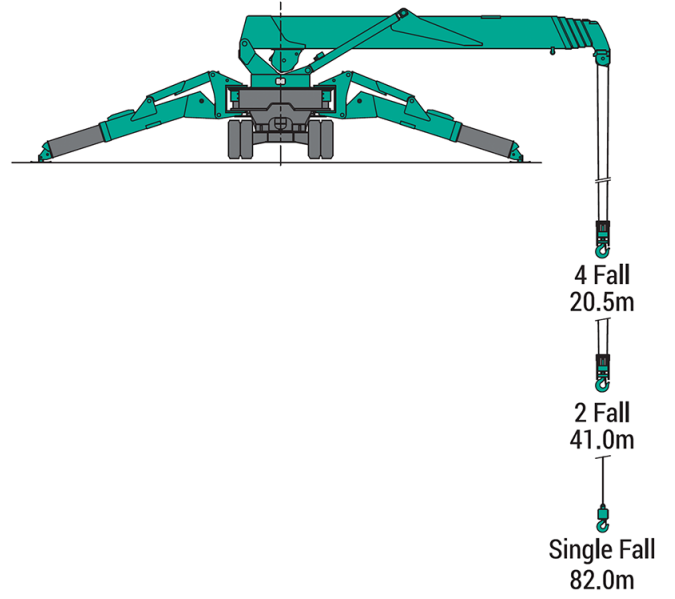
Outriggers Position : Mid



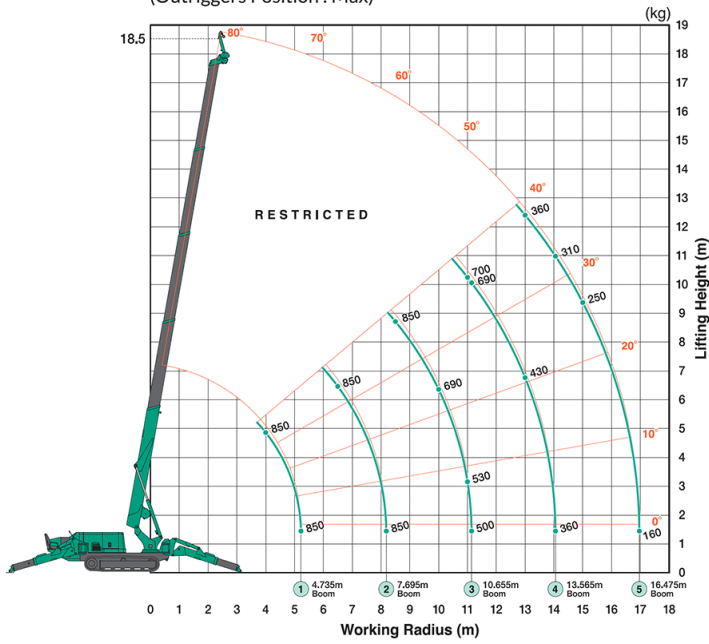
Outriggers Position : Min



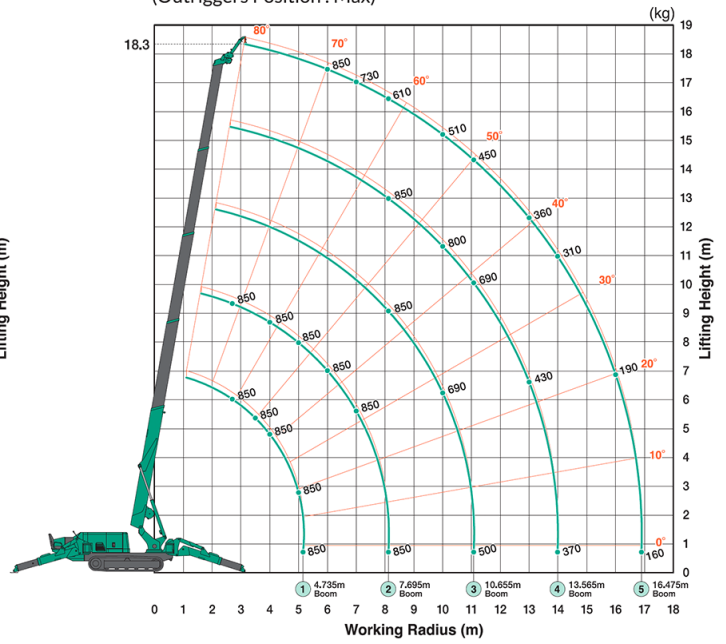
Max. Below Grade



850kg Searcher Hook Offset Position : SH1
(Outriggers Position : Max)



850kg Searcher Hook Offset Position : SH2
(Outriggers Position : Max)



850kg Searcher Hook Offset Position : SH3
(Outriggers Position : Max)

