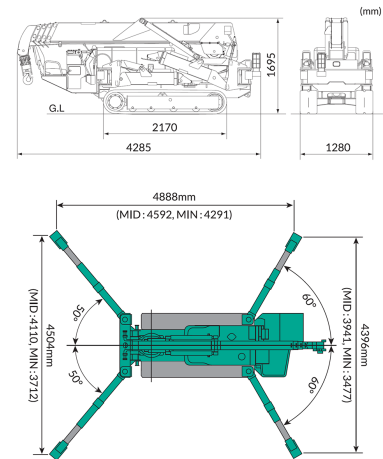
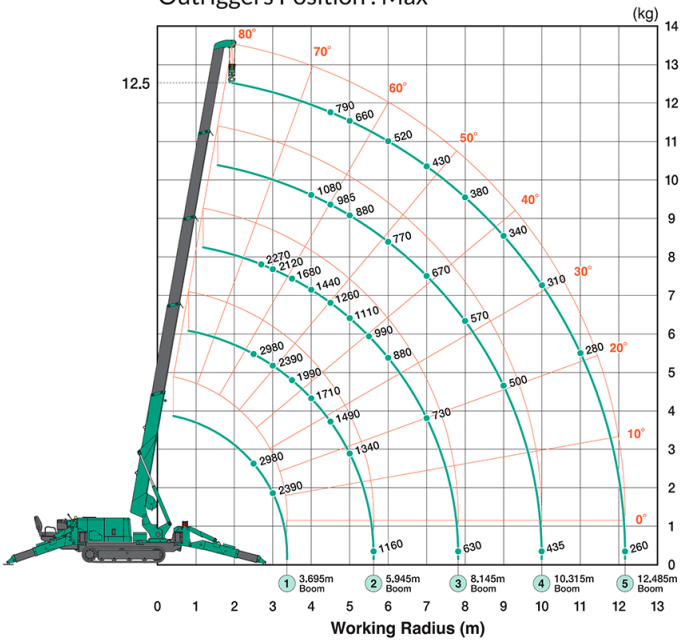


GMK 125-30

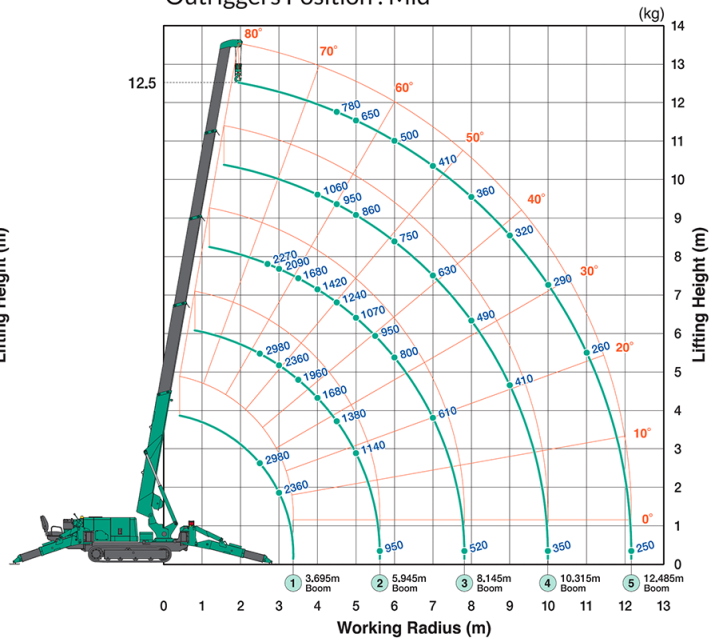
Support width max.	4,40 m
Support length max.	4,40 m
Drive type	380 V / Diesel
Construction width	1,28 m
Overall height	1,70 m
Ground clearance	0,13 m
Dead weight	4080 kg
Non-Marking	yes, white rubber chain
Max. Basket load / Lifting load	2980 kg
Transport position height	1,70 m
Transport position length	4,29 m
Max. Lifting height	12,52 m
Max. Projection	12,16 m
Max. Pitch angle	25%
Hook height	12,52 m
Rope length	73 m
Support pressure max.	37 kN
Supports	ja
Special features	Optional vacuum glass suction cup available
Overall dimensions	4,29 x 1,28 m



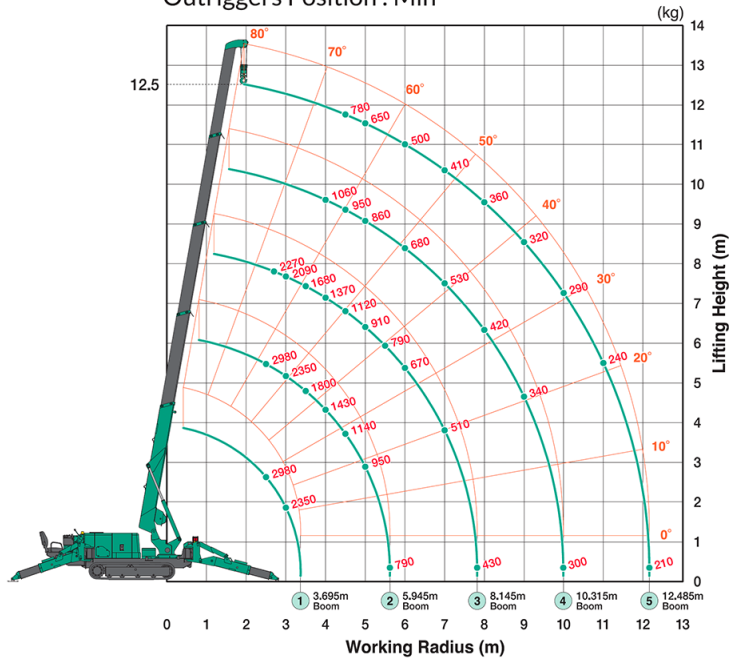
Outriggers Position : Max



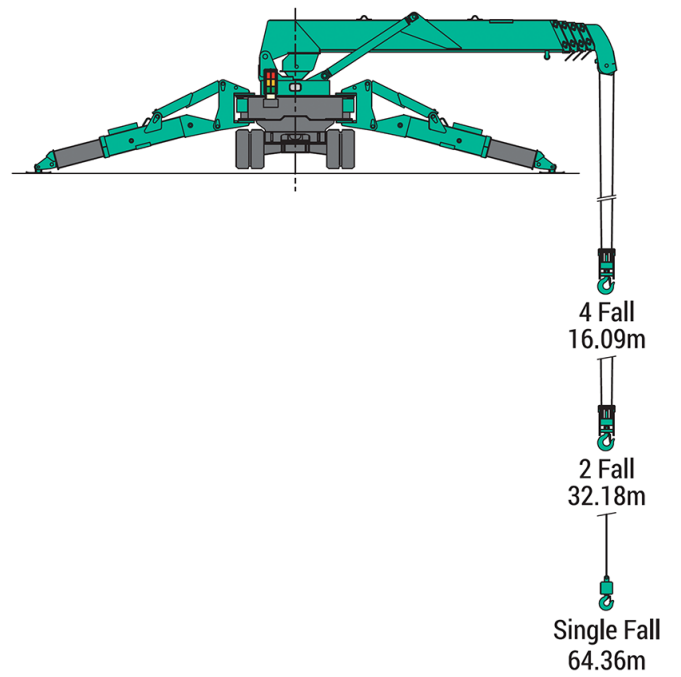
Outriggers Position : Mid



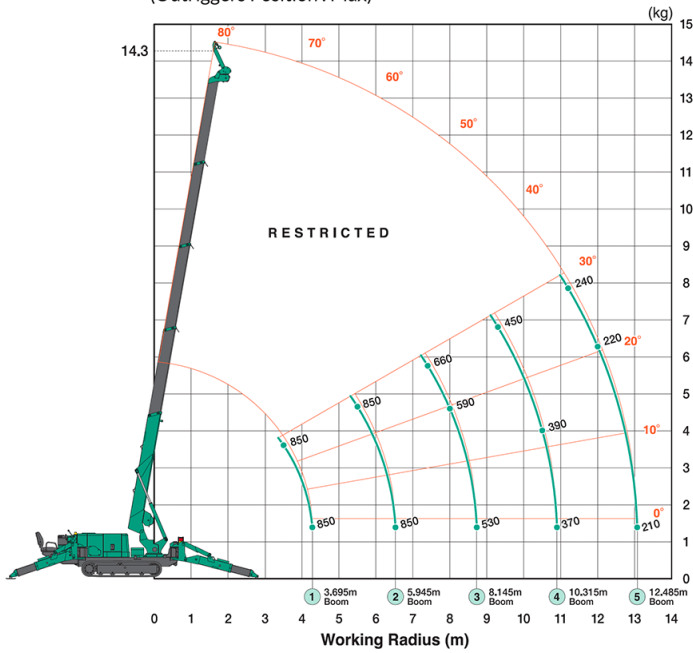
Outriggers Position : Min



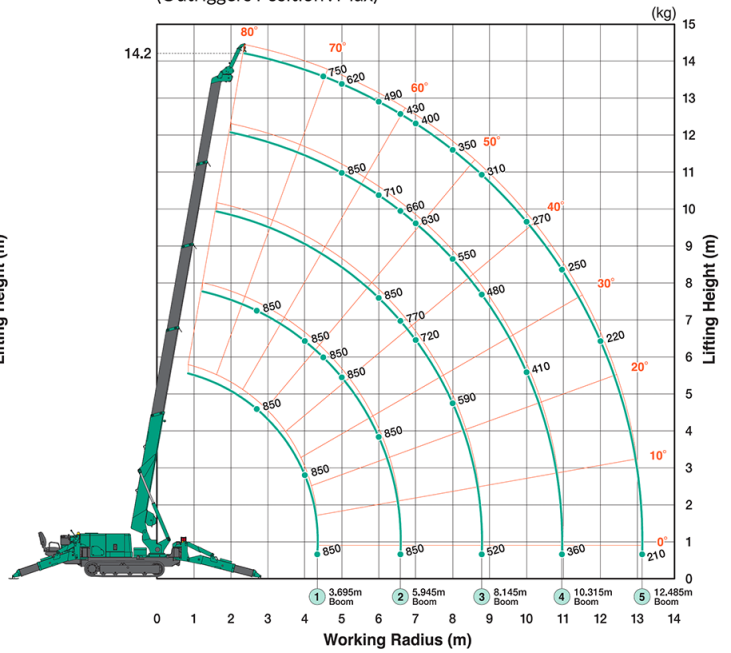
Max. Below Grade



850kg Searcher Hook Offset Position : SH1
(Outriggers Position : Max)



850kg Searcher Hook Offset Position : SH2
(Outriggers Position : Max)



850kg Searcher Hook Offset Position : SH3
(Outriggers Position : Max)

