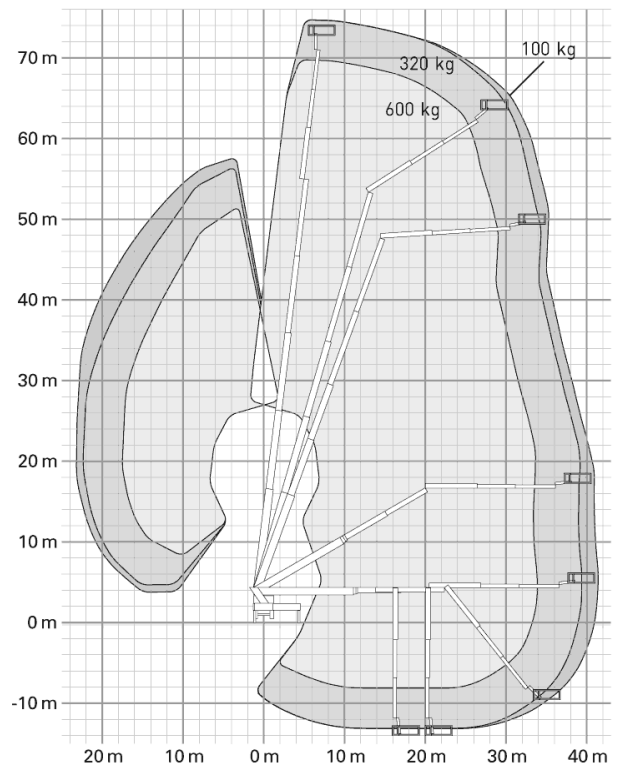
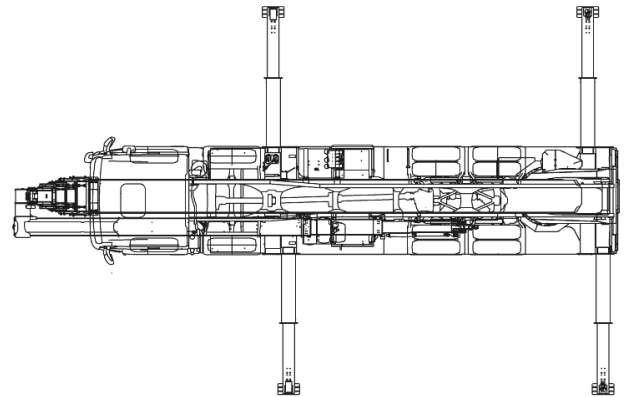
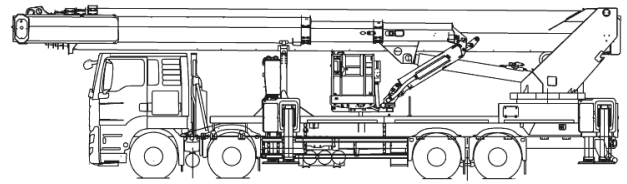
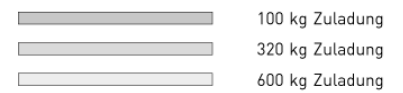
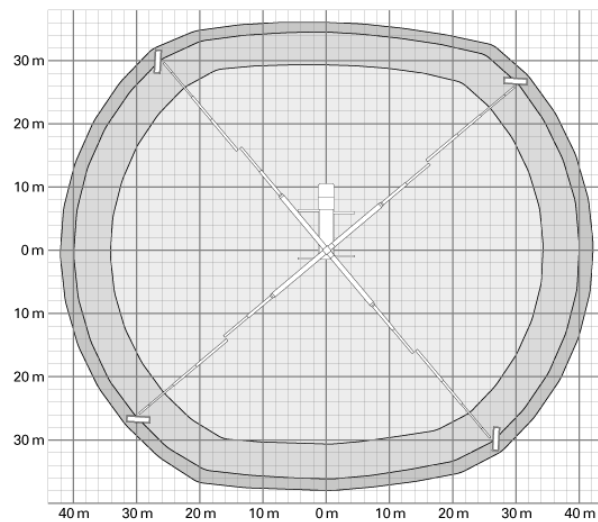
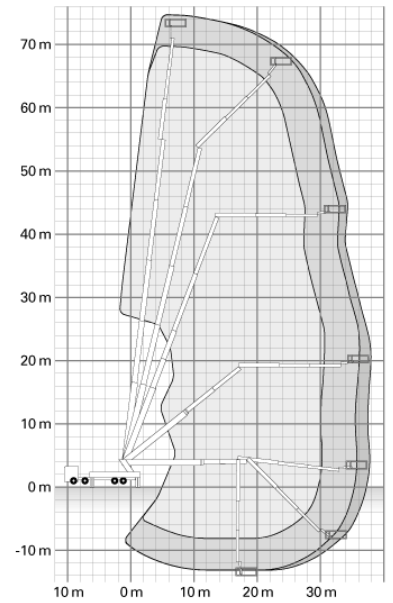
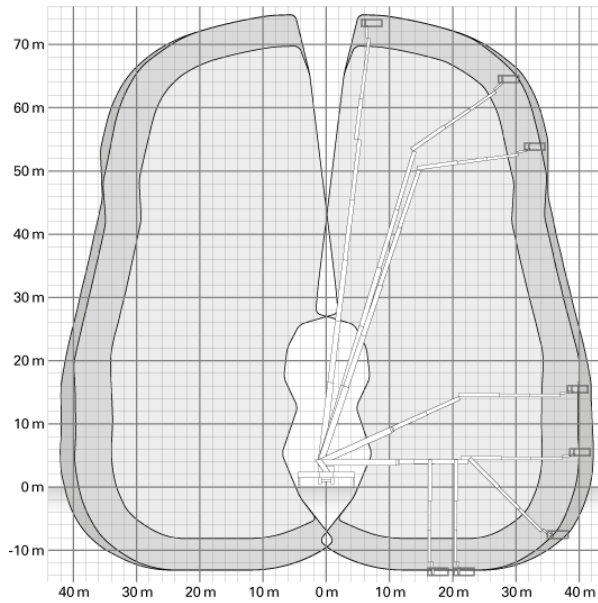
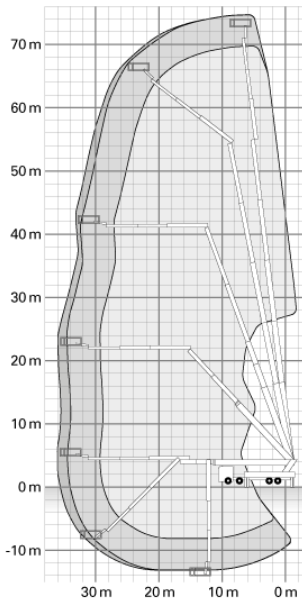
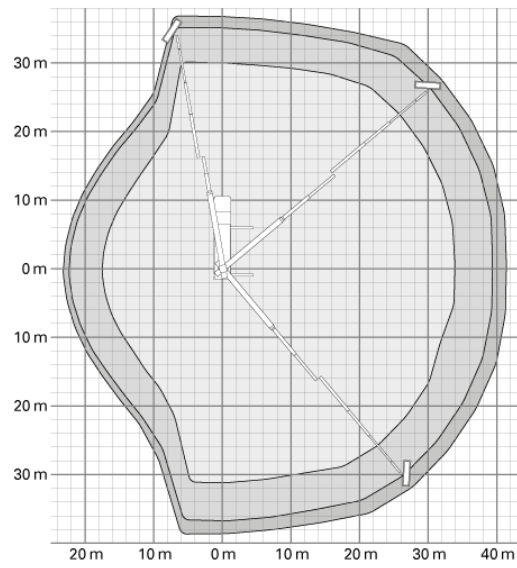
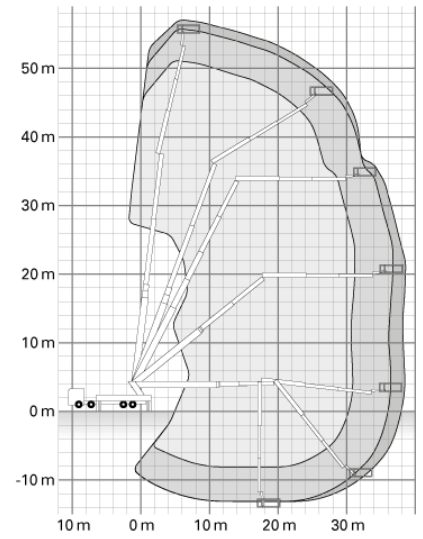
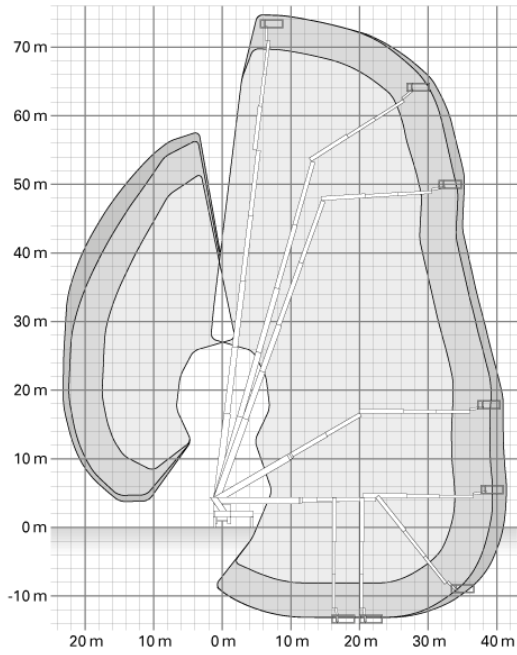
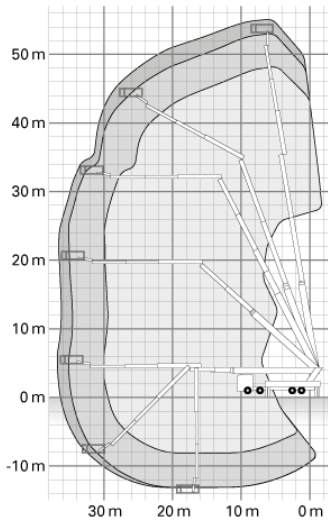





GL 75 G

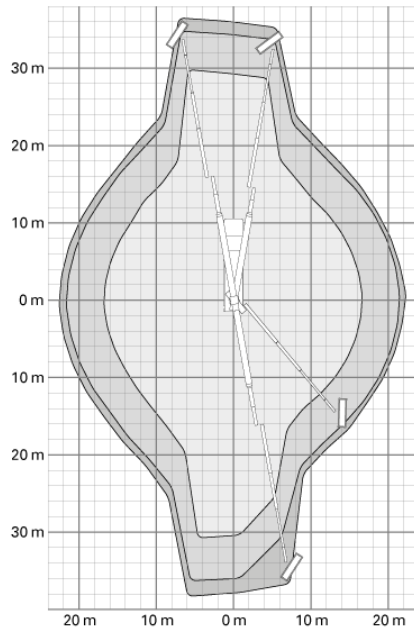
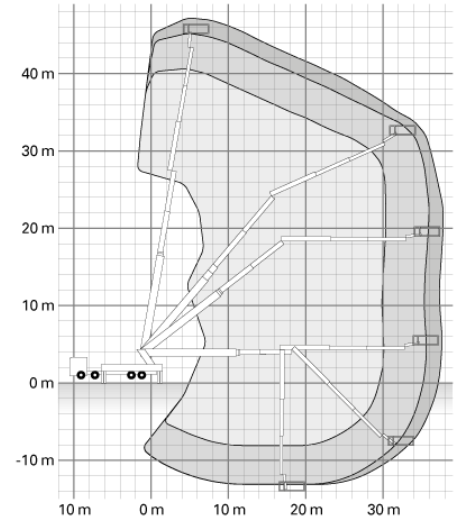
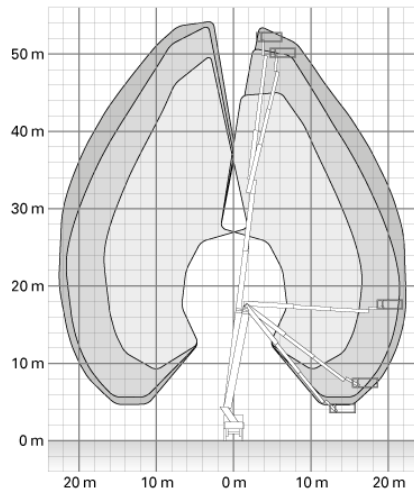
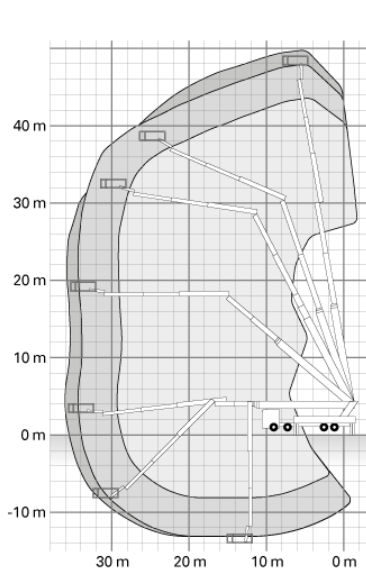
Max. Working height	75,00 m
Max. lateral reach	42,00 m
Max. Basket load / Lifting load	600 kg
Platform dimensions LxW	3,82* x 0,97 m
Overall dimensions LxWxH	13,98 x 2,54 x 3,97 m
Support length	7,73 m
Support width on both sides	9,02 m
Support width on one side	5,78
Vertical support width	2,54
Dead weight	32740 kg
Perm. total weight	33000 kg
Drive type	Diesel
Four-wheel drive	no
Ground clearance	0,20 m
Rotating work basket	yes/2 x 220°
Swivel range	2 x 250°
Basket arm	ja
Driving licence	only with personnel
Special features	Available with load carrier system (Powerlift system) and glass vacuum suction cup, double-joint technology, upright cage arm with 180° angle of rotation, work cage can be rotated by 2 x 220° for work behind interfering edges, computer-aided support structure










-  100 kg Zuladung
-  320 kg Zuladung
-  600 kg Zuladung



-  100 kg Zuladung
-  320 kg Zuladung
-  600 kg Zuladung

