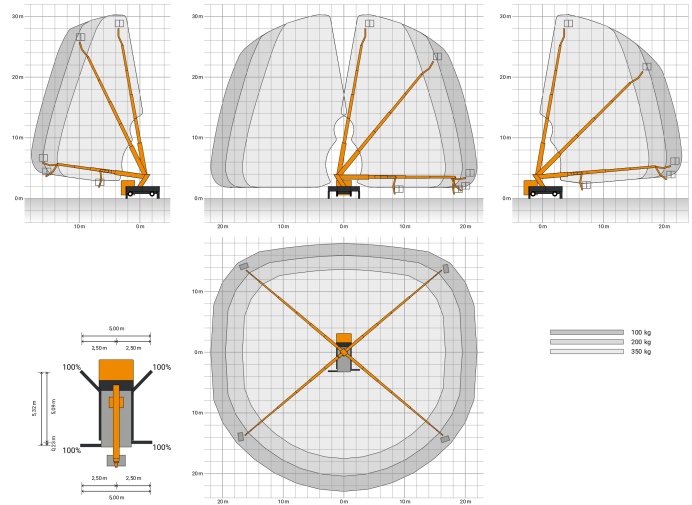
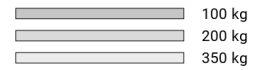
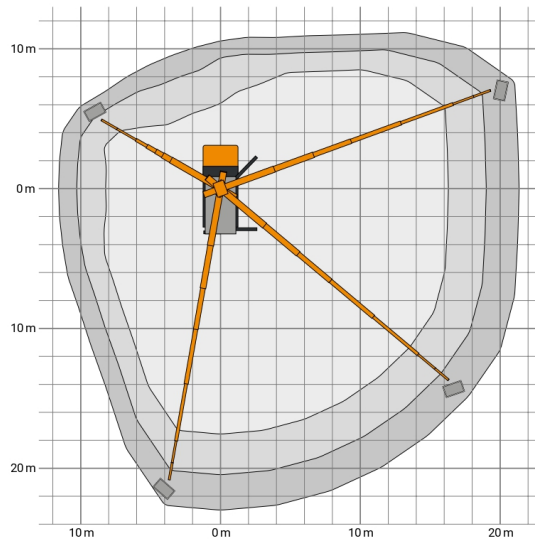
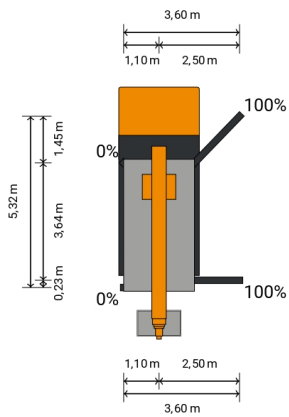
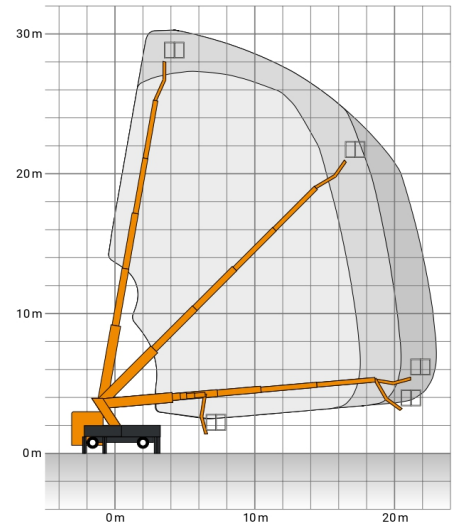
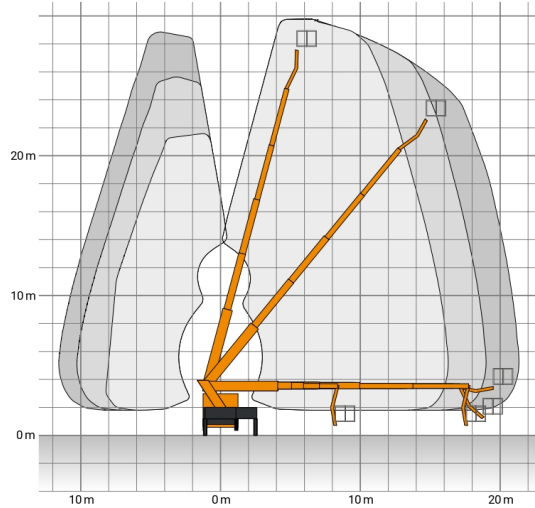
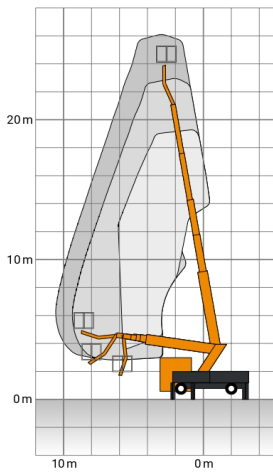
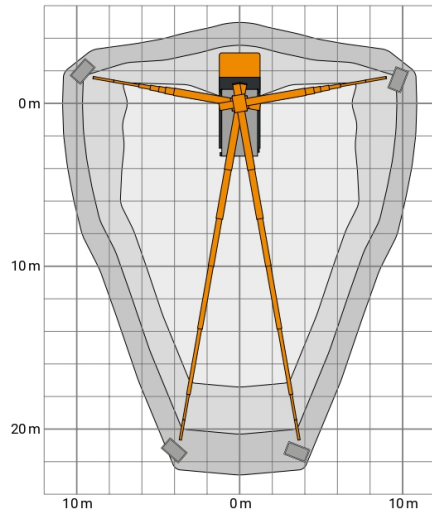
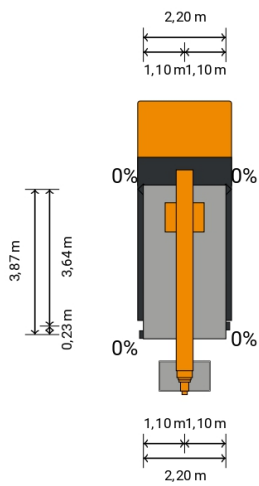
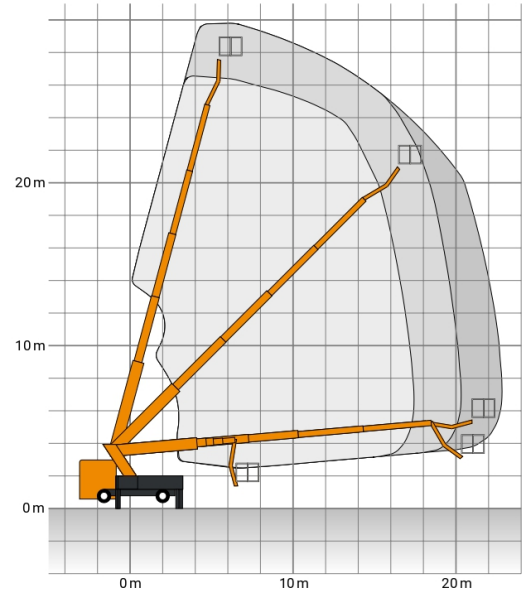
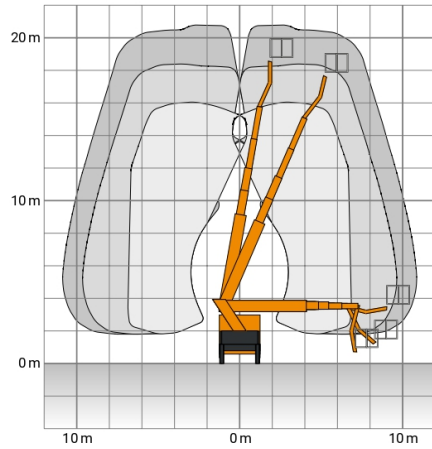
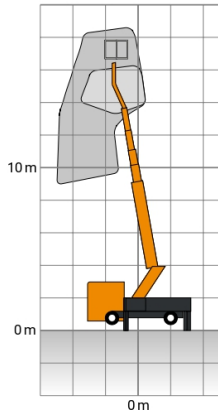


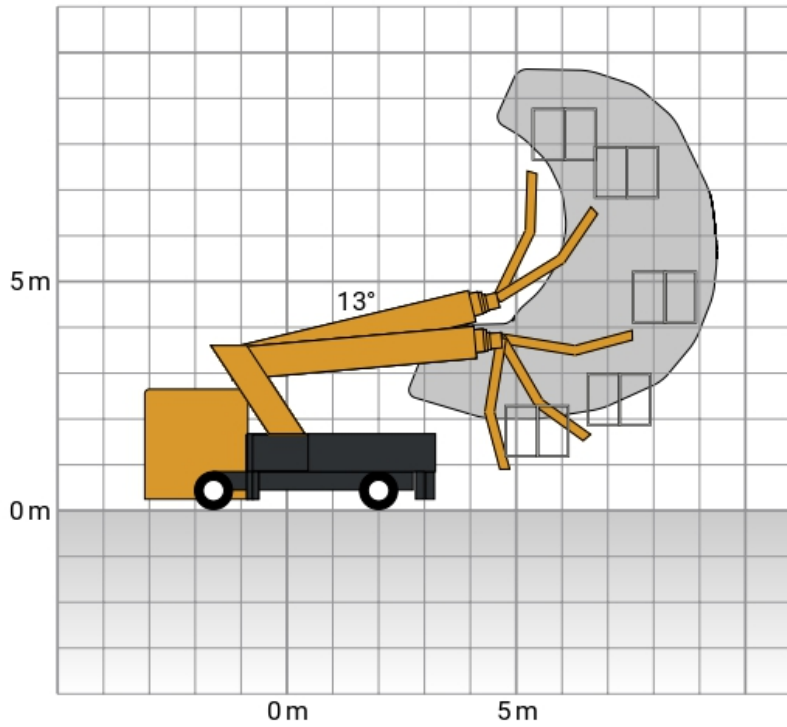
GL 30 P

Max. Working height	29,91 m
Max. lateral reach	24,79 m
Max. Basket load / Lifting load	350 kg
Platform dimensions LxW	1,66 x 0,82 m
Overall dimensions LxWxH	7.64 x 2.51 x 3.61 m
Support length	5,40 m
Support width on both sides	5,32 m
Support width on one side	3,92
Vertical support width	2,51
Dead weight	7190 kg
Drive type	Diesel
Four-wheel drive	no
Ground clearance	0,17 m
Rotating work basket	ja/2 x 90 = 180°
Swivel range	2 x 250 = 500°
Basket arm	ja
Driving licence	C1 / 3
Special features	Short overall vehicle length for increased maneuverability, Increased basket load: 350 kg in combination with enormous reach









350 kg

