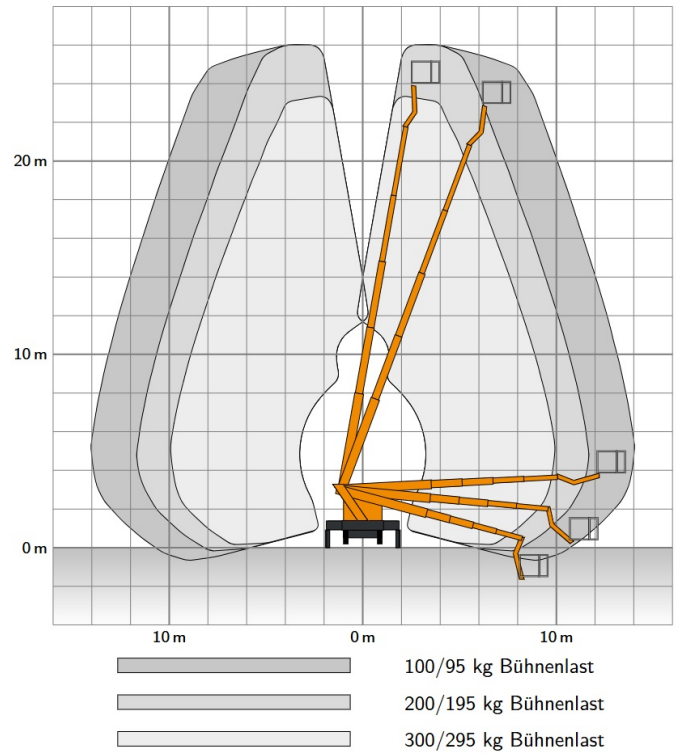
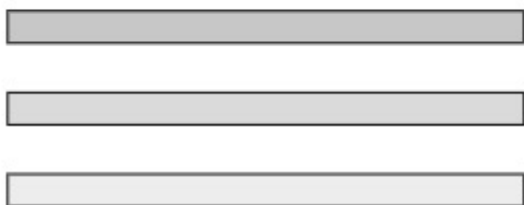
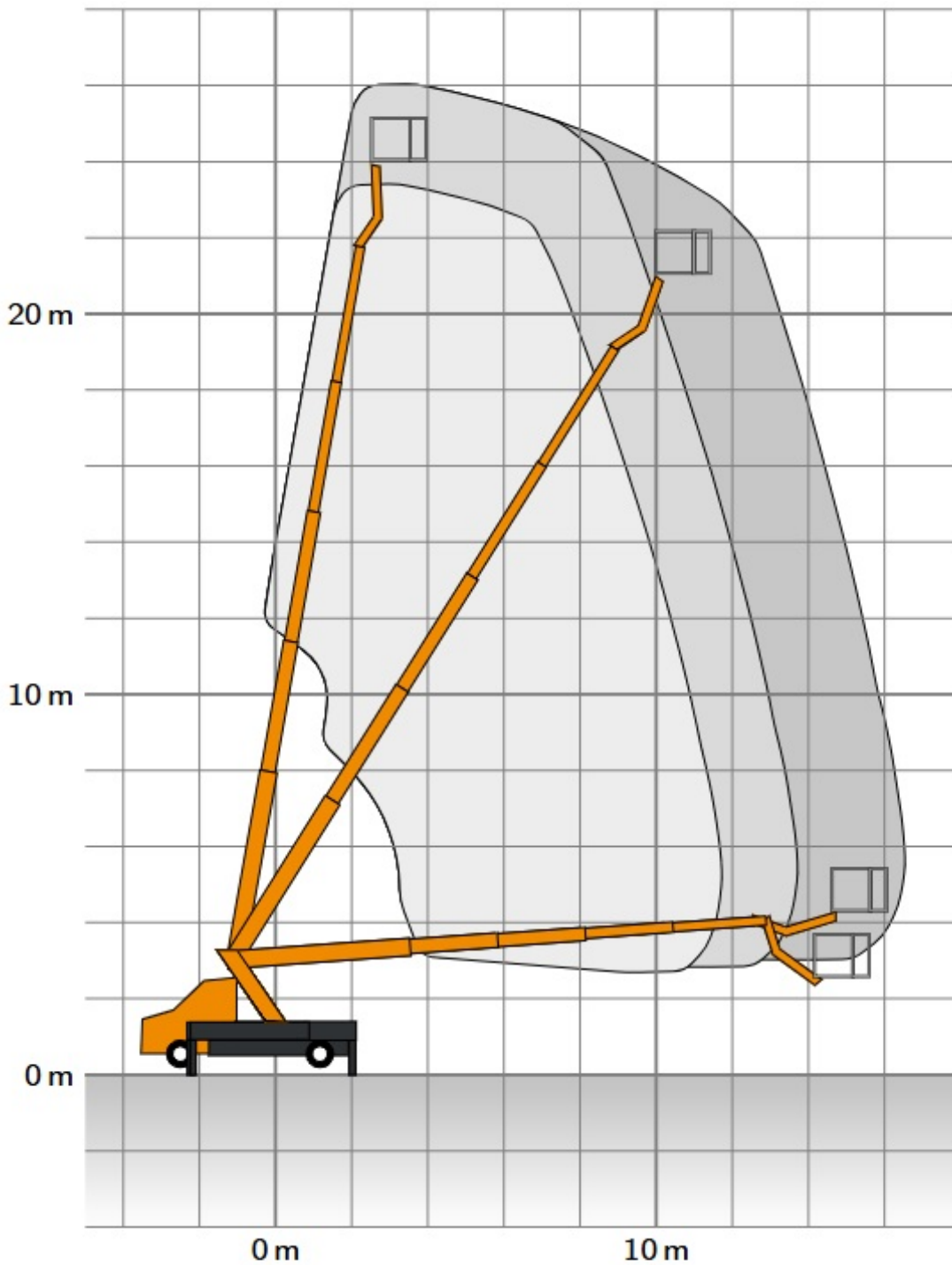


## GL 26 K

<b>Max. Working height</b>	26,03 m
<b>Max. lateral reach</b>	16,50 m
<b>Max. Basket load / Lifting load</b>	295 kg
<b>Platform dimensions LxW</b>	1,60 x 0,70 m
<b>Overall dimensions LxWxH</b>	7.87 x 2.35 x 3.09 m
<b>Support length</b>	4,43 m
<b>Support width on both sides</b>	3,87 m
<b>Support width on one side</b>	3.15 (front)/3.08 (rear)
<b>Vertical support width</b>	2,35
<b>Dead weight</b>	3330 kg
<b>Perm. total weight</b>	3500 kg
<b>Drive type</b>	Diesel
<b>Four-wheel drive</b>	no
<b>Ground clearance</b>	0,19 m
<b>Rotating work basket</b>	ja/2 x 90°
<b>Swivel range</b>	2 x 225°
<b>Basket arm</b>	ja
<b>Driving licence</b>	B / 3
<b>Special features</b>	Additional drop sides

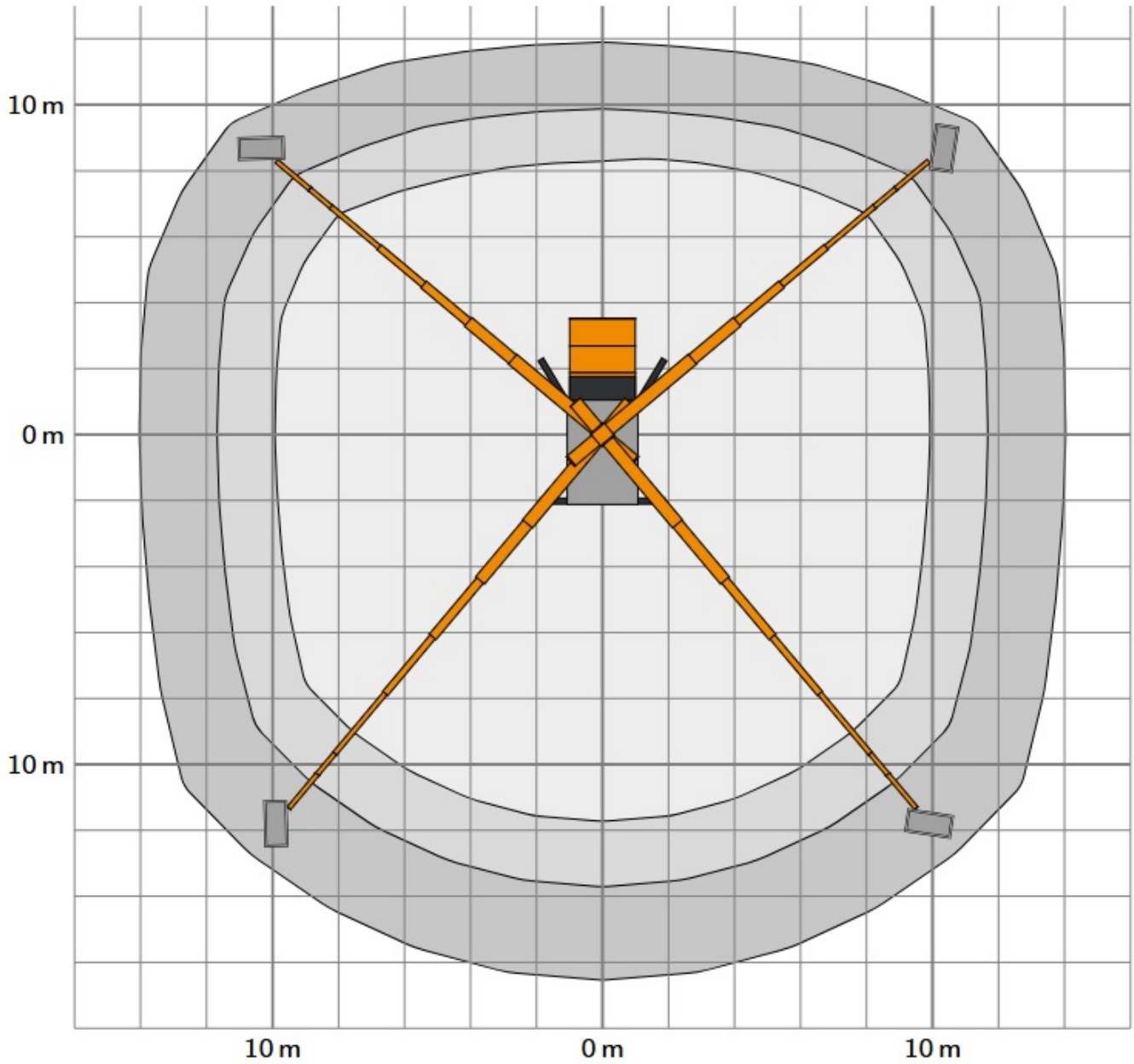







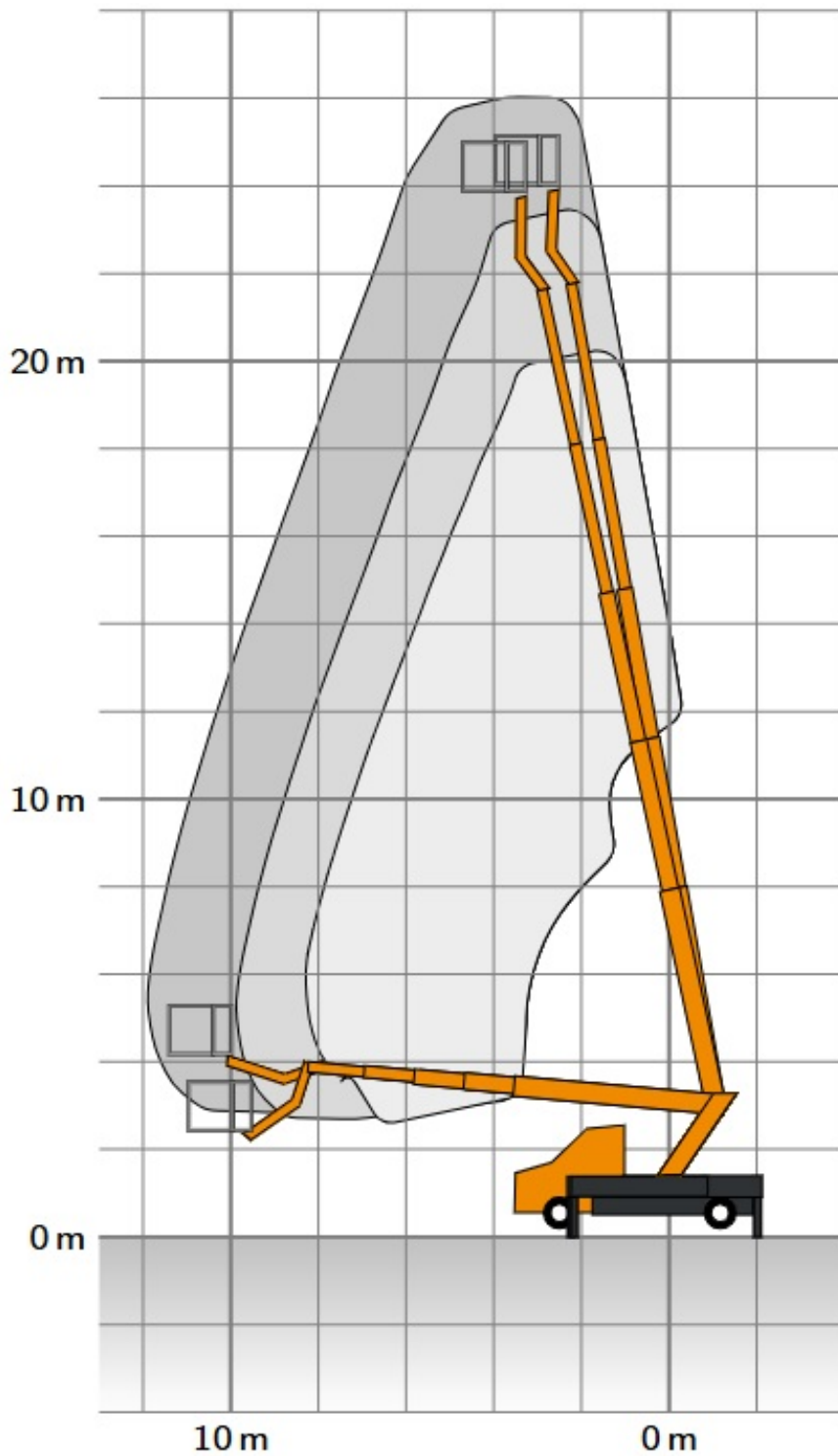
100/95 kg Bühnenlast




200/195 kg Bühnenlast

300/295 kg Bühnenlast



- |   |                       |
|---|-----------------------|
|  | 100/95 kg Bühnenlast  |
|  | 200/195 kg Bühnenlast |
|  | 300/295 kg Bühnenlast |



	100/95 kg Bühnenlast
	200/195 kg Bühnenlast
	300/295 kg Bühnenlast

