

## GL 14 B Sprinter

<b>Max. Working height</b>	13,65 m
<b>Max. lateral reach</b>	8,50 m
<b>Max. Basket load / Lifting load</b>	230 kg
<b>Platform dimensions LxW</b>	1,11 x 0,70 m
<b>Overall dimensions LxWxH</b>	6.68 x 2.20 x 3.15 m
<b>Support length</b>	6,68 m
<b>Support width on both sides</b>	m
<b>Support width on one side</b>	-
<b>Vertical support width</b>	2,31
<b>Dead weight</b>	2920 kg
<b>Perm. total weight</b>	3500 kg
<b>Drive type</b>	Diesel
<b>Four-wheel drive</b>	no
<b>Ground clearance</b>	0,25 m
<b>Rotating work basket</b>	no
<b>Swivel range</b>	+/-210°
<b>Basket arm</b>	ja
<b>Driving licence</b>	B / 3
<b>Special features</b>	Can be moved up to a working height of 5.64 meters, material can be loaded from the loading area into the basket without stepping onto the roadway, narrow outriggers, long reach, automatic retraction, automatic erection, memory function, can be moved from above without outriggers. Isolated

### Maschinenskizze:

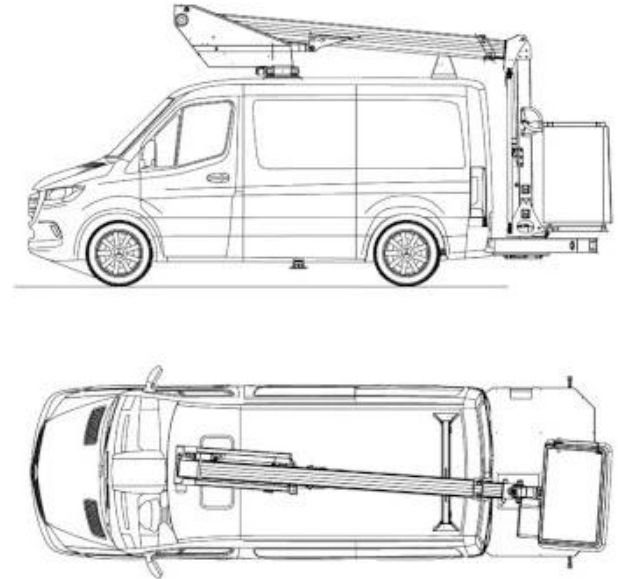


Diagramm ohne Abstützung:

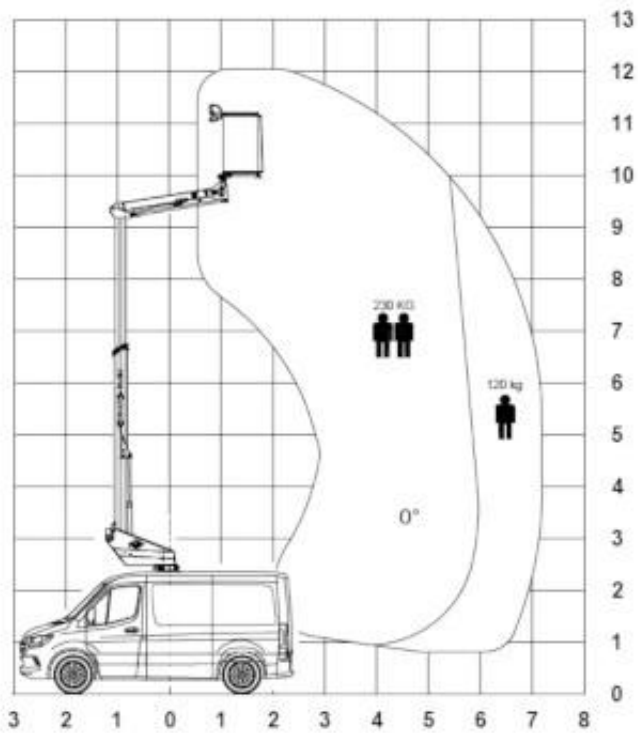


Diagramm ohne Abstützung:

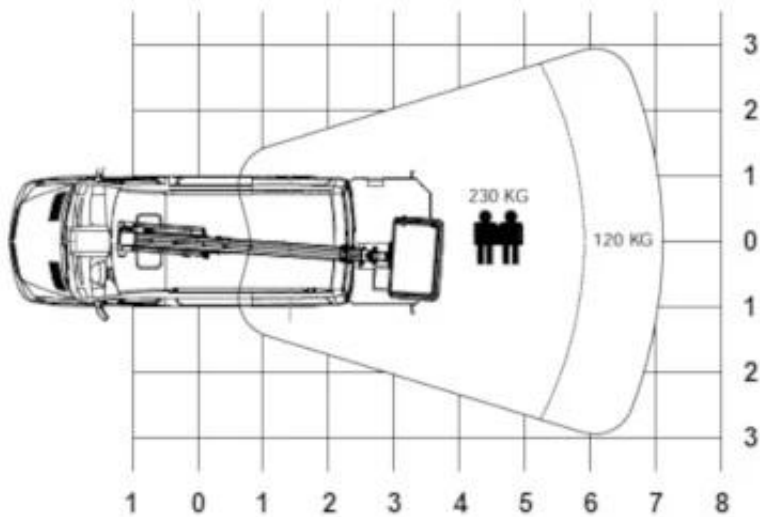


Diagramm Abstützung senkrecht:

